

Pioneer

Service Manual

ORDER NO.
RRV2378

AUDIO/VIDEO MULTI-CHANNEL RECEIVER

VSX-859RDS VSX-859RDS-G

THIS MANUAL IS APPLICABLE TO THE FOLLOWING MODEL(S) AND TYPE(S).

Type	Model		Power Requirement	The voltage can be converted by the following method.
	VSX-859RDS	VSX-859RDS-G		
HYXJI	○	○	AC220-230V	AC240V, *
HVXJI	○	—	AC230V	AC240V, *

* : Alter the wiring of the Power-supply block at the primary winding of Power-transformer referring to the "Line Voltage Selection" described in Service Manual.

● This service manual should be used together with the following manual(s):

Model No.	Order No.	Remarks
VSX-35TX/KUXJI/CA	RRV2351	

CONTENTS

1. CONTRAST OF MISCELLANEOUS PARTS	2
2. PCB CONNECTION DIAGRAM	10
3. SCHEMATIC DIAGRAM	12
4. REMOTE CONTROL UNIT	34

PIONEER CORPORATION 4-1, Meguro 1-chome, Meguro-ku, Tokyo 153-8654, Japan
PIONEER ELECTRONICS SERVICE, INC. P.O. Box 1760, Long Beach, CA 90801-1760, U.S.A.
PIONEER ELECTRONIC NV Haven 1087, Keetberglaan 1, 9120 Melsele, Belgium
PIONEER ELECTRONICS ASIACENTRE PTE. LTD. 253 Alexandra Road, #04-01, Singapore 159936
 © PIONEER CORPORATION 2000

1. CONTRAST OF MISCELLANEOUS PARTS

NOTES: ● Parts marked by "NSP" are generally unavailable because they are not in our Master Spare Parts List.

● The Δ mark found on some component parts indicates the importance of the safety factor of the part. Therefore, when replacing, be sure to use parts of identical designation.

● Screws adjacent to \blacktriangledown mark on product are used for disassembly.

● Reference Nos. indicate the pages and Nos. in the service manual for the base model.

● When ordering resistors, first convert resistance values into code form as shown in the following examples.

Ex.1 When there are 2 effective digits (any digit apart from 0), such as 560 ohm and 47k ohm (tolerance is shown by J=5%, and K=10%).

560 → 56×10^1 → 561 RD1/4PU $\boxed{5}\boxed{6}\boxed{1}\boxed{J}$
 47k → 47×10^3 → 473 RD1/4PU $\boxed{4}\boxed{7}\boxed{3}\boxed{J}$
 0.5 → R50 RN2H $\boxed{R}\boxed{5}\boxed{0}\boxed{K}$
 1 → 1R0 RS1P $\boxed{1}\boxed{R}\boxed{0}\boxed{K}$

Ex.2 When there are 3 effective digits (such as in high precision metal film resistors).

5.62k → 562×10^1 → 5621 RN1/4PC $\boxed{5}\boxed{6}\boxed{2}\boxed{1}\boxed{F}$

■ CONTRAST TABLE

VSX-35TX/KUXJI/CA, VSX-859RDS/HYXJI, VSX-859RDS/HVXJI and VSX-859RDS-G/HYXJI are constructed the same except for the following:

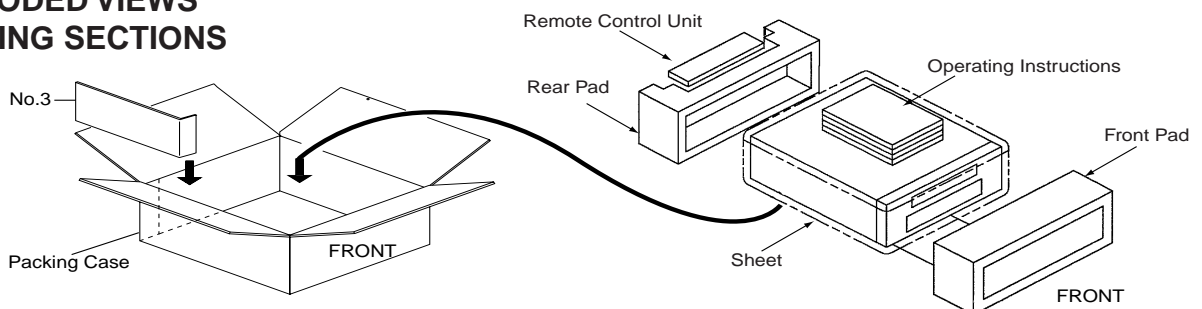
Ref. No.	Mark	Symbol and Description	Part No.				Remarks
			VSX-35TX /KUXJI/CA	VSX-859RDS /HYXJI	VSX-859RDS /HVXJI	VSX-859RDS-G /HYXJI	
P5- 1		PCB ASSEMBLIES FM/AM TUNER UNIT	AXQ7231	AXQ7232	AXQ7232	AXQ7232	
P5- 5 P5-12	NSP	MAIN ASSY └ MAIN CONTROL ASSY └ DSP ASSY	AWK7591 AWX7560 AWX7561	AWK7603 AWX7594 AWX7595	AWK7603 AWX7594 AWX7595	AWK7603 AWX7594 AWX7595	
P5- 2 P5- 6 P5-12 P5-15	NSP	COMPLEX ASSY └ EX I/O(7.1CH I/O) ASSY └ A- CONNECTION ASSY └ REGULATOR ASSY └ PRIMARY ASSY	AWK7592 AWX7568 AWX7566 AWX7562 AWX7563	AWK7604 AWX7597 AWX7584 AWX7806 AWX7596	AWK7607 AWX7597 AWX7584 AWX7806 AWX7604	AWK7604 AWX7597 AWX7584 AWX7806 AWX7596	
P5- 4 P5-10	NSP	POWER ASSY └ INPUT ASSY └ SP/PS ASSY └ FAN DRIVER ASSY	AWK7593 AWX7573 AWX7571 Not used	AWK7605 AWX7600 AWX7598 AWX7599	AWK7605 AWX7600 AWX7598 AWX7599	AWK7605 AWX7600 AWX7598 AWX7599	No. 1
P5- 7 P6- 3 P7- 1	NSP	FRONT ASSY └ COMPOSITE ASSY └ V-AMP ASSY └ DISPLAY ASSY └ P- SW ASSY	AWK7594 AWX7581 AWX7578 AWX7574 Not used	AWK7606 AWX7621 AWX7723 AWX7601 AWX7593	AWK7606 AWX7621 AWX7723 AWX7601 AWX7593	AWK7606 AWX7621 AWX7723 AWX7601 AWX7593	No. 2
P3- 2 P3- 3 P3- 3 P3- 3 P3- 3		PACKING SECTION FM Antenna Operating Instructions (English) Operating Instructions (German) Operating Instructions (French) Operating Instructions (Italian)	ADH7004 ARB7222 Not used Not used Not used	ADH7005 ARB7225 ARC7293 ARC7292 ARC7294	ADH7005 ARB7225 Not used Not used Not used	ADH7005 ARB7225 ARC7293 ARC7292 ARC7294	
P3- 3 P3- 3 P3- 3 P3- 3		Operating Instructions (Dutch) Operating Instructions (Swedish) Operating Instructions (Spanish) Operating Instructions (Portuguese)	Not used Not used Not used Not used	ARC7296 ARC7298 ARC7295 ARC7297	Not used Not used Not used Not used	ARC7296 ARC7298 ARC7295 ARC7297	

Ref. No.	Mark	Symbol and Description	Part No.				Remarks
			VSX-35TX /KUXJI/CA	VSX-859RDS /HYXJI	VSX-859RDS /HVXJI	VSX-859RDS-G /HYXJI	
PACKING SECTION							
P3- 4	NSP	Remote Control Unit	AXD7266	AXD7273	AXD7273	AXD7273	No. 3
P3- 8		Packing Case	AHD7860	AHD7865	AHD7865	AHD7900	
P3-11		Warranty Card	ARY7007	ARY7022	ARY7022	ARY7022	
		Spacer	Not used	AHB7052	AHB7052	AHB7052	
EXTERIOR SECTION							
P5-18	⚠	Power Transformer	ATS7284	ATS7285	ATS7285	ATS7285	No. 4 No. 5 No. 6 No. 7
P5-19	⚠	Fuse (FU4, FU5:)	REK1112 (2.5A)	REK1025 (T2.0A)	REK1025 (T2.0A)	REK1025 (T2.0A)	
P5-21	⚠	Fuse (FU1:)	VEK1029 (10A)	REK-106 (T4.0A)	AEK-106 (T4.0A)	AEK-106 (T4.0A)	
P5-26		AC Cord Stopper	CM-22C	CM-22B	CM-22B	CM-22B	
P5-27	⚠	AC Power Cord	VDG1075	VDG1080	VDG1076	VDG1080	
P5-28	NSP	Spacer	AEB7210	AEB7213	AEB7213	AEB7213	
P5-30		Under Base	ANA7113	ANA7102	ANA7102	ANA7102	
P5-31		Rear Panel	ANC7910	ANC7912	ANC7939	ANC7961	
P5-33		Bonnet	AZN7835	AZN7835	AZN7835	AZN7836	
P5-35	⚠	Trans Shield	ANG7293	ANG7294	ANG7294	ANG7294	
		Bottom Plate	Not used	ANF7020	ANF7020	ANF7020	
		Fan Motor	Not used	AXM7012	AXM7012	AXM7012	
		Stabilizer	Not used	ANG7310	ANG7310	ANG7310	
		Locking Card Spacer	Not used	AEC7160	AEC7160	AEC7160	
HEAT SINK SECTION							
	⚠	Thermistor	Not used	AEX7004	AEX7004	AEX7004	No. 8
FRONT PANEL SECTION							
P7- 9		4P Flexible Cable/60V	ADD7238	Not used	Not used	Not used	No. 9 No.10
P7-13		Door Stay	AAH7063	AAH7063	AAH7063	AAH7064	
P7-14		Door	AMB7692	ANB7223	ANB7223	ANB7222	
P7-15		Door Hinge L	AMR7291	AMR7291	AMR7291	AMR7292	
P7-16		Door Hinge R	AMR7293	AMR7293	AMR7293	AMR7294	
P7-17		Volume Knob (MASTER)	AAB7193	AAB7193	AAB7193	AAB7210	
P7-18		Rotary Knob (INPUT SELECTOR)	AAB7226	AAB7226	AAB7226	AAB7227	
P7-19		Digital Cap	AAD7576	AAD7576	AAD7576	AAD7580	
P7-20		Volume Ring	AAK7623	AAH7623	AAH7623	AAH7016	
P7-21		Window	AAK7769	AAK7764	AAK7764	AAK7732	
P7-22		Door Sheet	AAK7783	AAK7778	AAK7778	AAH7798	
P7-24		Cusion Circle	AED7044	AED7044	AED7044	AED7045	
P7-25		Front Panel	AMB7691	ANB7230	ANB7230	ANB7243	
P7-26		Panel Base	AMB7695	AMB7695	AMB7695	AMB7696	
P7-30		Damper Assy	AXA7089	AXA7088	AXA7088	AXA7088	
P7-31		Name Plate	PAM1776	PAN1376	PAN1376	PAN1377	
		POWER Button	Not used	AAD7442	AAD7442	AAD7491	
		FL Sheet	Not used	Not used	Not used	AAK7735	

Notes : ●The numbers in the remarks column correspond to the numbers on the “ EXPLODED VIEWS ”.

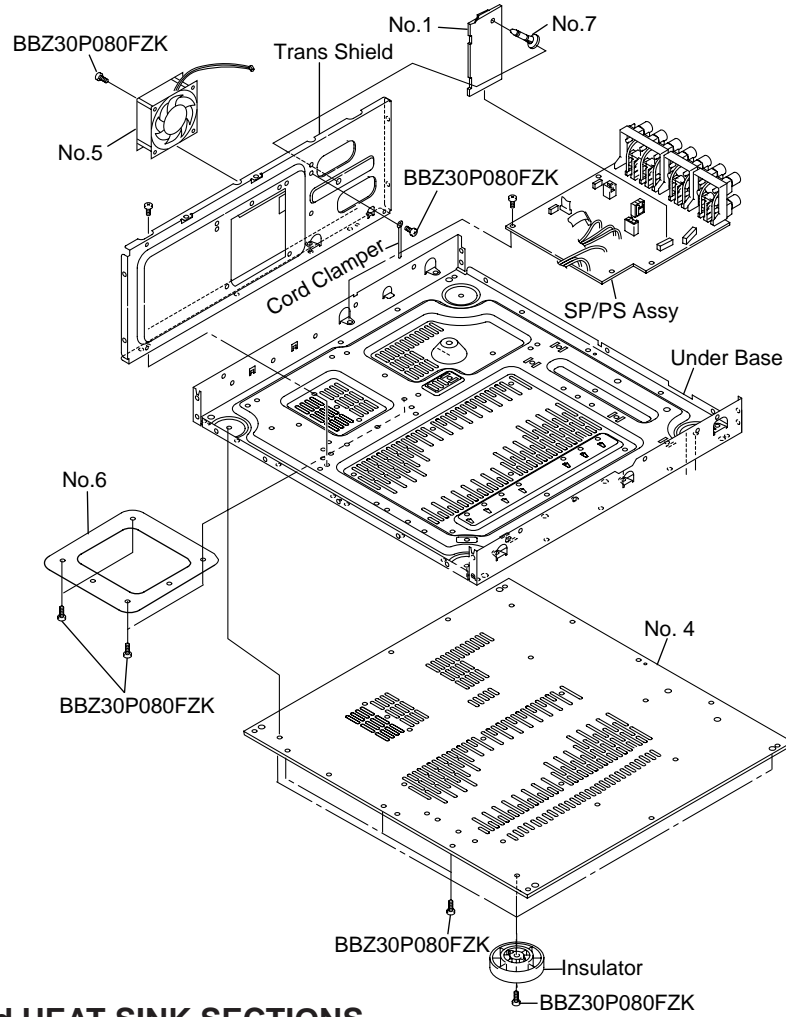
● For PCB ASSEMBLIES, Refer to “CONTRAST OF PCB ASSEMBLIES”, “2. PCB CONNECTION DIAGRAM” and “3. SCHEMATIC DIAGRAM”.

EXPLODED VIEWS
● **PACKING SECTIONS**

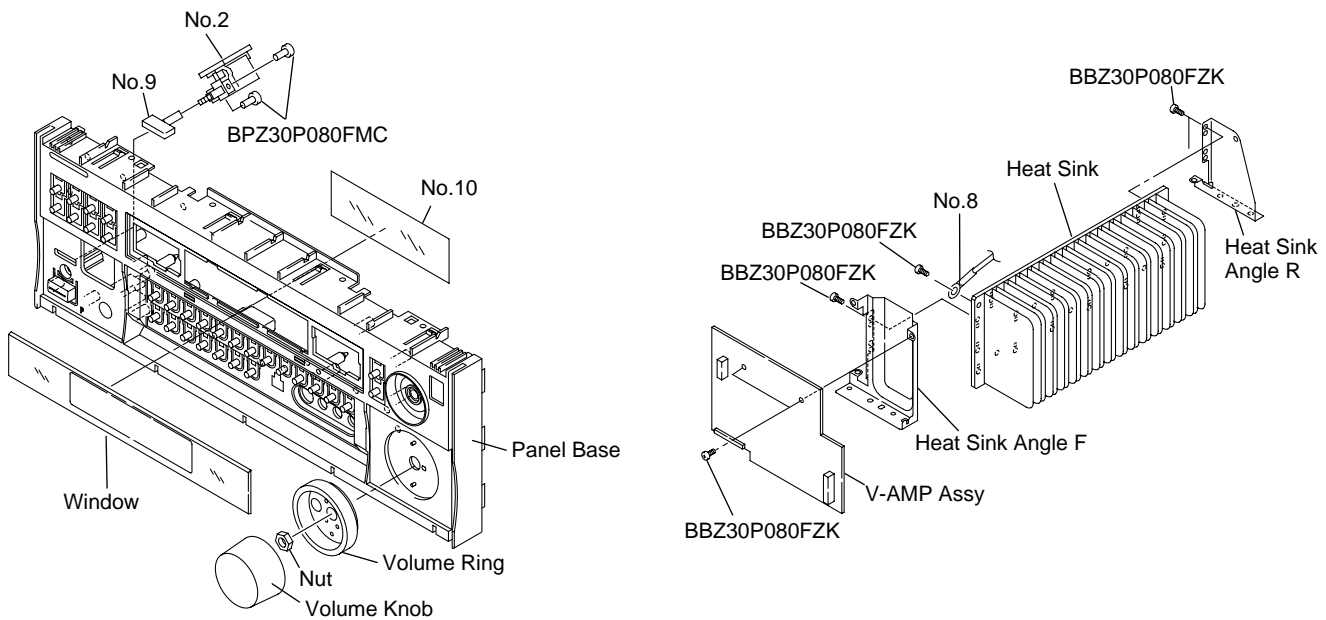


VSX-859RDS, VSX-859RDS-G

● EXTERIOR SECTION



● FRONT PANEL and HEAT SINK SECTIONS



■ CONTRAST OF PCB ASSEMBLIES

AF FM/AM TUNER UNIT

AXQ7232 and AXQ7231 are constructed the same except for the following :

Mark	Symbol and Description	Part No.		Remarks
		AXQ7231	AXQ7232	
	BN201	AKA7003	AKA7002	
	Q601	Not used	2SC2412K	
	Q602	Not used	DTC124EK	
	D101	Not used	UDZS6.8B	
	D601	Not used	HVU187	
	L601	Not used	LCTA270J2520	
	L602	Not used	LAU2R2J	
	F601	Not used	ATF7025	
	C101	CKSRYB103K50	Not used	
	C103, C104, C609	Not used	CKSRYB102K50	
	C206	CCSRCH100D50	CCSRCH120J50	
	C209	CKSRYB223K50	Not used	
	C210	CEJA470M16	CEJQ470M16	
	C211	CEJA1R0M50	CEJQ1R0M50	
	C215	CKSRYB681K50	CKSRYB471K50	
	C216, C217	CKSRYB153K50	CKSRYB103K50	
	C244, C611	Not used	CKSRYB223K50	
	C601, C602	CKSRYB103K50	Not used	
	C603	CKSRYB223K50	CKSRYB392K50	
	C604, C610, C615	Not used	CKSRYB103K50	
	C605	Not used	CCSQCH680J50	
	C606	Not used	CKSRYB561K50	
	C607, C608	Not used	CKSRYB182K50	
	C614	Not used	CCSRCH101J50	
	R101	Not used	RS1/16S0R0J	
	R102, R225, R243	RS1/16S0R0J	Not used	
	R103	RS1/10S331J	RS1/10S221J	
	R104	RS1/10S391J	RS1/10S221J	
	R105, R605	Not used	RS1/16S222J	
	R201	RS1/16S391J	Not used	
	R202	RS1/16S221J	RS1/16S101J	
	R212	RS1/16S392J	RS1/16S512J	
	R216	RS1/16S123J	RS1/16S103J	
	R218, R219	RS1/16S102J	RS1/16S681J	
	R222	RS1/16S472J	RS1/16S103J	
	R227	RS1/16S103J	RS1/16S183J	
	R601	Not used	RS1/16S561J	
	R602, R604	Not used	RS1/16S221J	
	R603	Not used	RS1/16S472J	
	R606	Not used	RS1/16S121J	
	R607	Not used	RS1/16S473J	
	0001 FM FRONT END	AXF7003	AXF7005	
	0002 MW RF TUNING BLOCK	AXX7071	AXX7072	

BF 7.1CH I/O ASSY

AWX7597 and AWX7568 are constructed the same except for the following :

Mark	Symbol and Description	Part No.		Remarks
		AWX7568	AWX7597	
	C1101- C1124, C1161- C1165	Not used	CCSQCH101J50	
	C1167, C1168	Not used	CCSQCH101J50	
	C1151- C1158	Not used	CCSQCH331J50	
	C1166	Not used	CCSQCH471J50	

VSX-859RDS, VSX-859RDS-G

CF INPUT ASSY

AWX7600 and AWX7573 are constructed the same except for the following :

Mark	Symbol and Description	Part No.		Remarks
		AWX7573	AWX7600	
	Q1001, Q1002 D1051 C1051 C1001-C10012 R1013- R1016, R1051 R1017, R1018 CN1002 6P SOCKET JA1004 2P PIN JACK JA1051 MULI ROOM JACK	2SC2878 1SS133 CGCYX103M16 Not used RD1/4PU102J RD1/4PU473J KP200TA6L AKB7046 AKN7014	Not used Not used Not used CCCSL221J50 Not used Not used Not used Not used Not used	

EF A-CONNECTION ASSY

AWX7584 and AWX7566 are constructed the same except for the following :

Mark	Symbol and Description	Part No.		Remarks
		AWX7566	AWX7584	
	IC503 IC1551 D1551 C1509, C1510 C1551- C1553 C1554, C1555 C1556, C1557 R1551 R1552, R1553 R1554, R1555 CN1552 9P SOCKET CN1554 6P PLUG	NJM4558MD M62429FP UDZS5.1B Not used CEAT100M50 CCSQCH101J50 CEAT1R0M50 RS3LMF391J RS1/10S102J RS1/10S103J AKP7068 KM200TA6	UPC4570G2 Not used Not used CCSQCH221J50 Not used Not used Not used Not used Not used Not used Not used Not used	

FF COMPOSITE ASSY

AWX7621 and AWX7581 are constructed the same except for the following :

Mark	Symbol and Description	Part No.		Remarks
		AWX7581	AWX7621	
	IC731 D731 C732, C733 C734, C735 C736 C737 R733- R735	NJM2279M DAN202K CKSQYB473K50 CEAT101M10 CKSQYB473K50 CCSQCH470J50 RS1/10S102J	Not used Not used Not used Not used Not used Not used Not used	

GF V-AMP ASSY

AWX7723 and AWX7578 are constructed the same except for the following :

Mark	Symbol and Description	Part No.		Remarks
		AWX7578	AWX7723	
	CN2201 3P PLUG	Not used	KM250MA3	

DF MAIN CONTROL ASSY

AWX7594 and AWX7560 are constructed the same except for the following :

Mark	Symbol and Description	Part No.		Remarks
		AWX7560	AWX7594	
	IC103 IC104 IC251 Q905 D251, D252 D253 C101- C112 C119, C120 C133, C134 C135, C136 C145, C146, C169, C170, C181, C182 C157, C158 C191- C193 C252 C253- C256 C291 C911 L101- L104 R111, R112 R115, R116 R129, R130, R139, R140 R203, R204 R131, R132 R133, R134 R135, R136, R934, R944- R946 R990, R991 R211- R215, R252, R253 R251 R254 R255 R295 R923 R933 CN103 9P PLUG CN906 4P FFC CONNECTOR	TC9164AF NJM4558MD Not used DTA124EK Not used Not used Not used Not used CKSRYB103K50 CEAT1R0M50 Not used Not used CCSRCH101J50 Not used Not used Not used CEJA101M16 CKSRYB103K50 Not used RS1/10S0R0J RS1/10S331J RS1/10S104J RS1/10S104J RS1/16S474J RS1/16S471J RS1/16S102J RS1/10S102J Not used Not used Not used Not used Not used Not used RS1/16S473J AKP7057 52045-0445	Not used Not used NJM4558MD Not used 1SS355 UDZS5.1B CCSQCH221J50 CKSRYB331K50 Not used Not used CCSRCH101J50 CCSQCH101J50 Not used CEAT470M25 CKSRYB103K50 CEJQ101M16 Not used LCTA181J3225 RS1/10S101J RS1/10S122J Not used Not used Not used Not used RS1/10S0R0J RS1/16S103J RS1/16S474J RS1/16S102J RS1/16S393J RS1/10S0R0J RS1/16S103J Not used Not used Not used	

LF SP / PS ASSY

AWX7598 and AWX7571 are constructed the same except for the following :

Mark	Symbol and Description	Part No.		Remarks
		AWX7571	AWX7598	
△	D3001, D3002 D3052, D3054, D3056, D3058, D3059 D3201 C3101- C3105 C3106- C3110 C3111- C3117 C3119 R3111 R3133, R3134 Heat Sink CN3002 6P PLUG CN3101 8P SPEAKER TERMINAL CN3102 6P SPEAKER TERMINAL	D5SBA20 Not used Not used CFTYA104J50 Not used CQHA102J2A Not used Not used Not used ANH1021 Not used AKE7058 AKE7060	LN6SB60-4003 1SS133 MTZJ5.1B CFTYA224J50 CFTYA224J50 CQHA332J2A CKPUYB221K50 RD1/4PU4R7J RS1LMF471J Not used KM200TA6 AKE7059 AKE7061	

VSX-859RDS, VSX-859RDS-G

NF REGULATOR ASSY

AWX7806 and AWX7562 are constructed the same except for the following :

Mark	Symbol and Description	Part No.		Remarks
		AWX7562	AWX7806	
△	D5009	D3SBA20(B)	LN4SB60-4003	

QF PRIMARY ASSY

AWX7596, AWX7604 and AWX7563 are constructed the same except for the following:

Mark	Symbol and Description	Part No.			Remarks
		AWX7563	AWX7596	AWX7604	
	C6011- C6013 R6001 T6001 J0032 6004 6001	Not used RCN1080 ATT7043 Not used AKP7136 Not used	CCCSL101K2H Not used ATT7040 D20PYY0330E AKP7135 51048-0300	CCCSL101K2H Not used ATT7040 D20PYY0330E Not used 51048-0300	

SF DISPLAY ASSY

AWX7601 and AWX7574 are constructed the same except for the following :

Mark	Symbol and Description	Part No.		Remarks
		AWX7574	AWX7601	
	IC7051 IC7401 Q7053 Q7054 Q7401 Q7402 Q7403 D7054- D7057 C7053 C7401 C7402 C7403, C7404 C7405 C7406, C7407 C7408 C7409 L7401 R7047 R7056 R7057 R7058, R7061 R7401, R7407, R7408 R7403 R7404 R7405 R7406 CN7007 4P FFC CONNECTOR X7401 CRYSTAL RESONATOR (4.332MHz)	TC7W53FU Not used FMA1A DTC124EK Not used Not used Not used 1SS355 CKSQYB153K50 Not used Not used Not used Not used Not used Not used Not used RS1/10S223J RS1/10S223J RS1/10S392J RS1/10S103J Not used Not used Not used Not used Not used 52045-0445 Not used	Not used BU1923 Not used Not used 2SA1037K DTC143EK 2SC2412K Not used Not used CKSQYB472K50 CEAT2R2M50 CKSQYB102K50 CEAT101M10 CCSQCH270J50 CKSQYB561K50 CEAT1R0M50 LFA2R2J RS1/10S103J Not used Not used Not used RS1/10S102J RS1/10S222J RS1/10S473J RS1/10S333J RS1/10S104J Not used ASS7004	

Y F DSP ASSY

AWX7595 and AWX7651 are constructed the same except for the following :

Mark	Symbol and Description	Part No.		Remarks
		AWX7561	AWX7595	
	IC9041	Not used	NJM4558MD	
	IC9071	Not used	PM4007A	
	IC9091	Not used	LH52256CN-70LL	
	Q9001, Q9002, Q9004 - Q9006, Q9031	Not used	2SC3082K (NP)	
	Q9003, Q9032	Not used	2PD601A (QR)	
	Q9007	Not used	2PB709A (QR)	
	D9001	Not used	KV1851	
	D9002	Not used	1SS355	
	F9001	Not used	ATF7001	
	L9003	Not used	ATH7001	
	L9001, L9071	Not used	ATL7002	
	L9091	Not used	QTL1013	
	JA9151	AKB7131	Not used	
	JA9152	Not used	AKB7132	
	C9001, C9014, C9054, C9056, C9070	Not used	CKSRYB103K50	
	C9002, C9003, C9006, C9010, C9011, C9017	Not used	CKSRYF104Z25	
	C9018, C9031, C9051, C9052, C9055, C9092	Not used	CKSRYF104Z25	
	C9072-C9075, C9078-C9081	Not used	CKSRYF104Z25	
	C9004, C9005, C9008, C9009, C9012, C9013	Not used	CKSQYF104Z25	
	C9015, C9020, C9032, C9043, C9058	Not used	CKSQYF104Z25	
	C9007	Not used	CCSRCH750J50	
	C9016	Not used	CEJQ470M25	
	C9019	Not used	CKSRYB473K16	
	C9033	Not used	CCSRCH101J50	
	C9041, C9042	Not used	CKSRYF105Z10	
	C9053	Not used	CEJQNP4R7M25	
	C9057	Not used	CCSRCH270J50	
	C9071	Not used	CEJQ101M10	
	C9076, C9077, C9082, C9083, C9084, C9085	Not used	CCSRCH471J50	
	C9093, C9087	Not used	CCSRCH471J50	
	C9086	Not used	CCSQCH471J50	
	C9091	Not used	CEJQ470M16	
	C9095	Not used	CCSQCH221J50	
	C9096	Not used	CEAT100M50	
	C9102, C9108, C9151, C9152, C9162	CEJA470M16	CEJQ101M16	
	C9111	CEJAR47M50	CEJQR47M50	
	C9117, C9120, C9562,	CEJA470M16	CEJQ470M16	
	C9123, C9125	CEJA1R0M50	CEJQ1R0M50	
	C9127	CEJA2R2M50	CEJQ2R2M50	
	C9203-C9207, C9603, C9604, C9615, C9616	CEJA4R7M50	CEJQ4R7M50	
	C9627, C9628, C9761, C9762, C9811, C9813	CEJA4R7M50	CEJQ4R7M50	
	C9501, C9516, C9551, C9740, C9801, C9802	CEJA101M10	CEJQ101M10	
	C9523, C9526, C9643, C9644, C9770	CEJA100M25	CEJQ100M25	
	C9529	CEJA2R2M50	CEJQ2R2M50	
	C9713, C9714, C9727, C9728, C9739, C9753	CEJA330M10	CEJQ330M10	
	C9754, C9765-C9769	CEJA330M10	CEJQ330M10	
	C9803, C9805	CEJA470M25	CEJQ470M25	
	C9812, C9814	CEJA101M10	CEJQ101M10	
	R9001	Not used	RS1/16S750J	
	R9002, R9010, R9011, R9018, R9038, R9054	Not used	RS1/16S103J	
	R9071, R9072, R9053	Not used	RS1/16S103J	
	R9003, R9019	Not used	RS1/16S512J	
	R9004, R9015, R9016, R9020	Not used	RS1/16S202J	
	R9005, R9006, R9014, R9021, R9022, R9025	Not used	RS1/16S102J	
	R9073	Not used	RS1/16S102J	
	R9007, R9023, R9033	Not used	RS1/16S220J	
	R9008, R9027, R9030	Not used	RS1/16S302J	
	R9009, R9074	Not used	RS1/16S221J	
	R9013, R9017, R9034	Not used	RS1/16S152J	
	R9024, R9026	Not used	RS1/16S332J	
	R9028, R9029	Not used	RS1/16S561J	
	R9031, R9032	Not used	RS1/16S333J	
	R9035	Not used	RS1/16S223J	

Mark	Symbol and Description	Part No.		Remarks
		AWX7561	AWX7595	
A	R9037, R9039	Not used	RS1/16S274J	
	R9041	Not used	RS1/16S472J	
	R9042, R9044, R9062	Not used	RS1/16S392J	
	R9043	Not used	RS1/16S273J	
	R9046	Not used	RS1/16S104J	
	R9047	Not used	RS1/16S432J	
	R9051	Not used	RS1/16S393J	
	R9052	Not used	RS1/16S243J	
	R9055	Not used	RS1/16S121J	
	R9056	Not used	RS1/16S683J	
	R9057- R9059	Not used	RS1/16S473J	
	R9061	Not used	RS1/16S471J	
	R9075, R9076	Not used	RS1/16S101J	
	R9095, R9096	Not used	RS1/16S0R0J	
	R9106	RS1/16S331J	RS1/16S101J	
	R9153	RS1/10S0R0J	RS1/10S104J	
	R9590	RS1/16S0R0J	RS1/16S331J	
	R9761	RS1/16S102J	Not used	
B	X9001 CRYSTAL RESONATOR (18.432MHz)	Not used	ASS7009	

PCB PARTS LIST

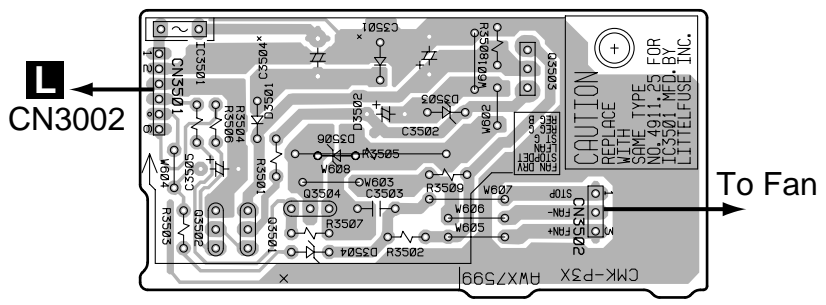
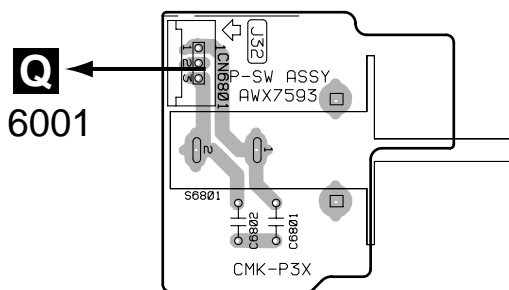
Mark	No.	Description	Part No.	Mark	No.	Description	Part No.
QA		P-SW ASSY (AWX7593)					
SWITCHES AND RELAYS							
	S6801		ASG1035		Q3503		2SC4793
					D3504		MTZJ12C
					D3503		MTZJ27D
					D3501, D3502		S5688G
CAPACITORS				CAPACITORS			
	C6801, C6802		CGCYX103K25		C3501		CEAT471M35
					C3502		CEAT1R0M50
					C3503		CKCYF103Z50
					C3504		CEANP471M25
					C3505		CEAT100M50
OTHERS				RESISTORS			
	CN6801 3P JUMPER CONNECTOR		52151-0310		Other Resistors		RD1/4PU□□□□
Z		FAN DRIVER ASSY (AWX7599)					
SEMICONDUCTORS				OTHERS			
	IC3501		AEK7010		CN3502 3P PLUG		KM250MA3L
	Q3501		KRA103M		CN3501 6P SOCKET		KP200TA6L
	Q3502		KRC103M				

2. PCB CONNECTION DIAGRAM

2.1 P- SW and FAN DRIVER ASSYS

QA P-SW ASSY

Z FAN DRIVER ASSY



SIDE A

QA Z

2.2 TRANS 2-1, TRANS 2-2 and TRANS 1 ASSYS

● Line Voltage Selection

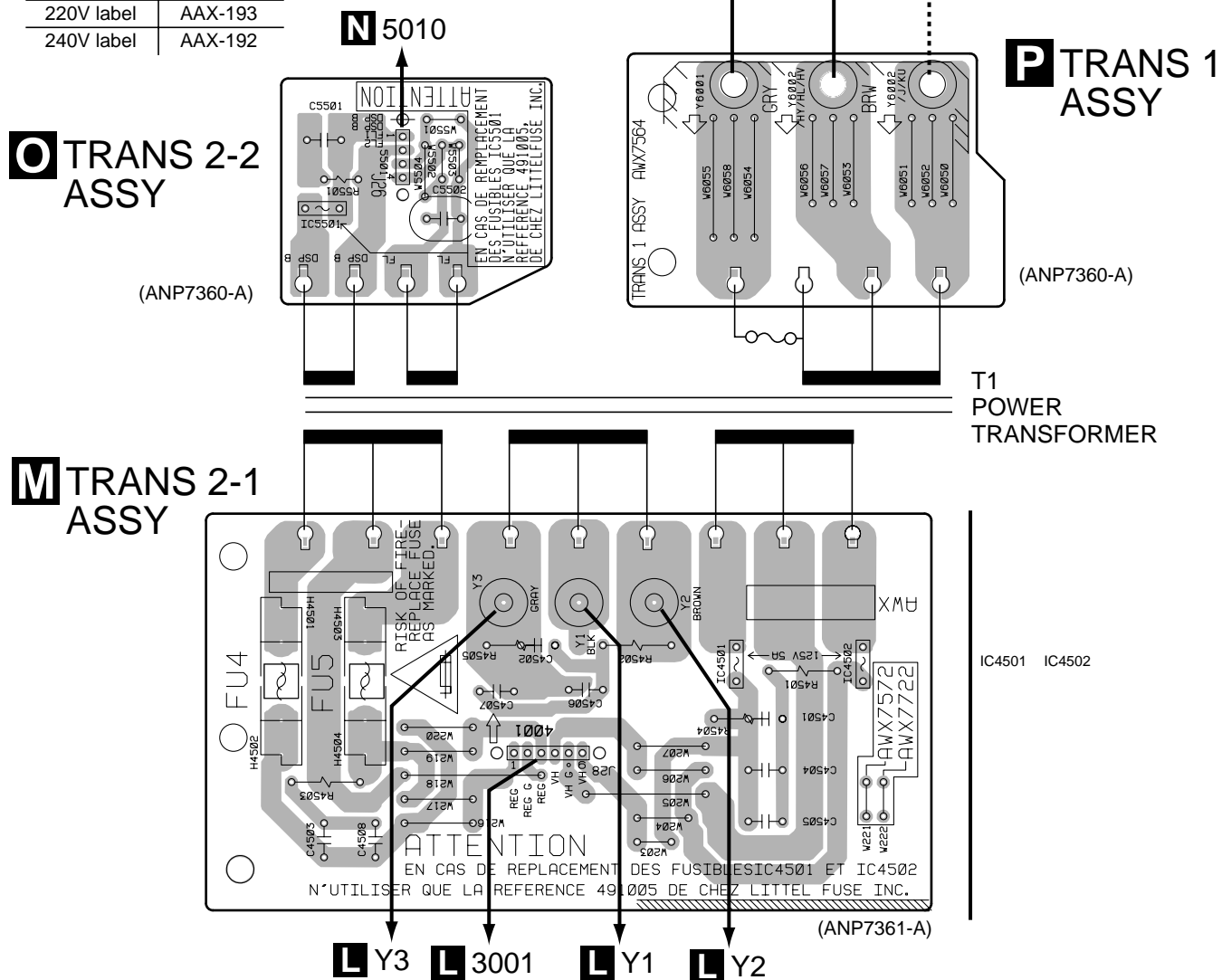
Line Voltage can be changed by the following modification:

1. Disconnect the AC power cord.
2. Remove the cover.
3. Change the connection wire from TRANS 1 ASSY (Terminal No. Y6002) to AMP ASSY (Terminal No. Y6002) as follows.

Voltage	Terminal No. of TRANS 1 ASSY
220-230V	Y6002/HY/HL/HV
240V	Y6002/J,/KU

4. Stick a line voltage label on the rear panel.

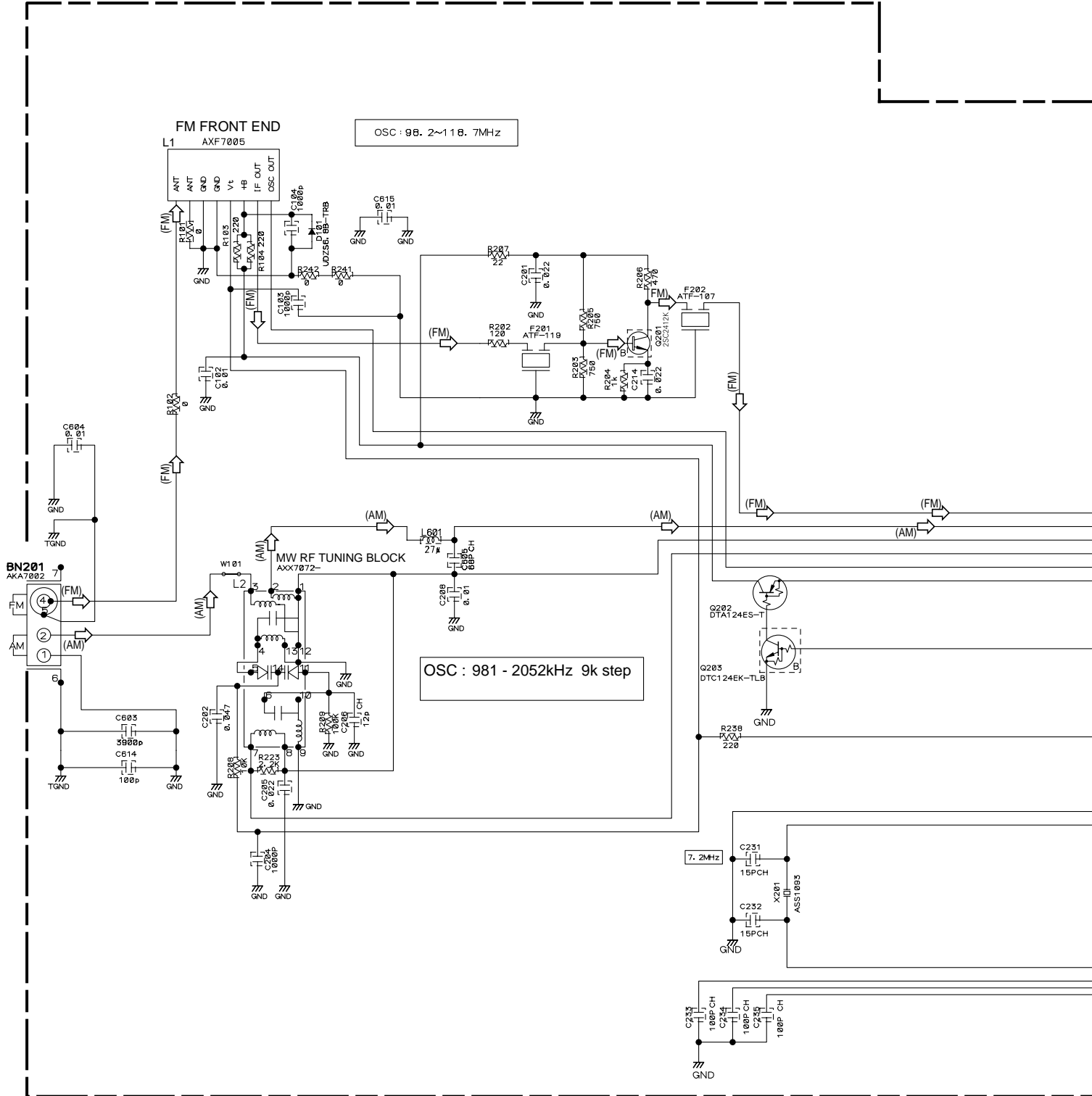
Description	Part No.
220V label	AAX-193
240V label	AAX-192



3. SCHEMATIC DIAGRAM

3.1 FM/AM TUNER UNIT

A FM/AM TUNER UNIT (AXQ7232)



Notes

1. RESISTORS


Indicated in Ω , 1/16W \pm 5% Tolerance unless otherwise noted K:K Ω , M:M Ω .

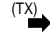
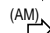
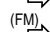
2. CAPACITORS

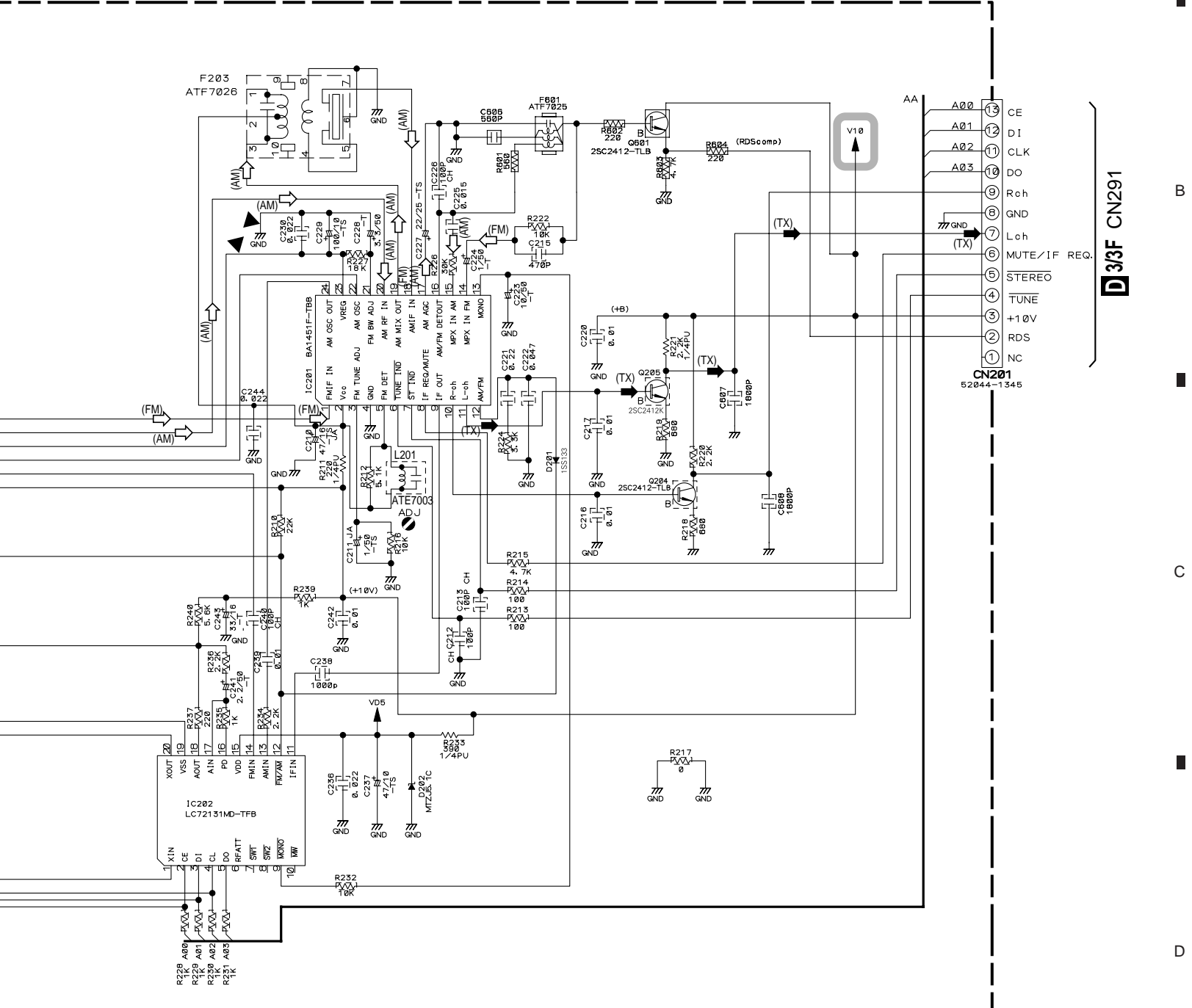
Indicated in Capacity (μ F)/VOLTAGE (V) unless otherwise noted P:PF.

3. DIODES

No mark diode is 1SS133.

 : The power supply is shown with the marked box.

-  : AUDIO SIGNAL ROUTE (TUNER)
-  : AM SIGNAL ROUTE
-  : FM SIGNAL ROUTE



D 3/3F CN291

3.2 7.1CH I/O and INPUT ASSYS

A

B

C

D

BF 7.1CH I/O ASSY (AWX7597)

IC1101-1103
UPC4570G2

BUFFER

PREOUT MUTE

Q1151~Q1158 : HN1C03F (AB) -TLB

JA1111 : AKB7048
FL IN
FR IN

JA1111 : AKB7048
SL IN
SR IN

JA1111 : AKB7048
C IN
SW IN

JA1113 : AKB7046
SBL IN
SBR IN

JA1113 : AKB7046
FL OUT
FR OUT

JA1113 : AKB7046
SL OUT
SR OUT

JA1113 : AKB7046
C OUT
SW OUT

JA1113 : AKB7046
SBL OUT
SBR OUT

CN1102
AKP7066
AG
AG
AG
+15V
-15V

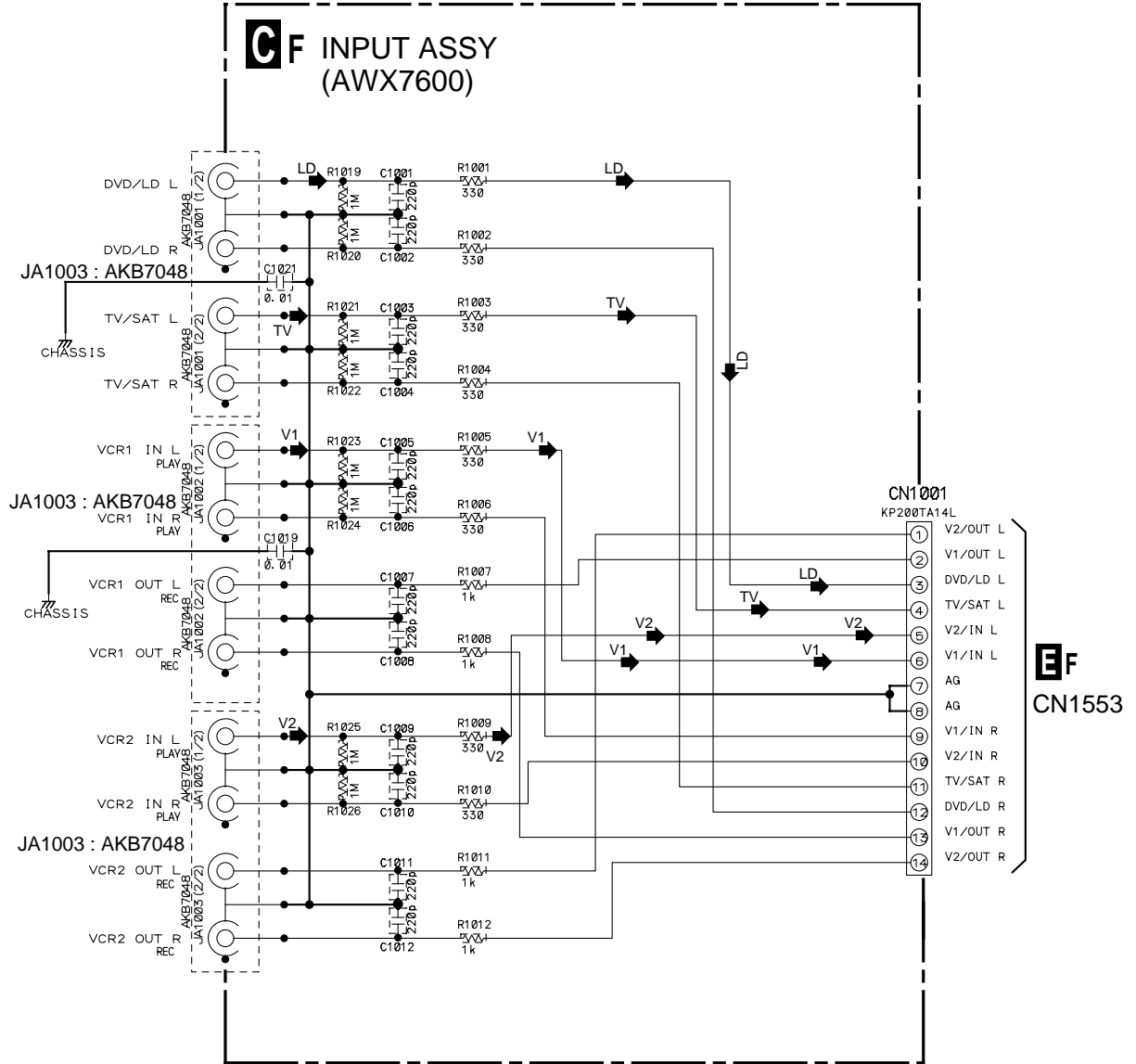
CN1101
AKP7066
FR IN
AG
FL IN
SR IN
SL IN
SW IN
C IN
SBR IN
SBL IN

CN1101
AKP7066
SBL OUT
SBR OUT
FL OUT
FR OUT
SL OUT
SR OUT
C OUT
SW OUT
MUTE2

EF
CN1503

EF
CN1505

▶ : AUDIO SIGNAL ROUTE



- ➡ : AUDIO SIGNAL ROUTE
- LD ➡ : AUDIO SIGNAL ROUTE (LD)
- TV ➡ : AUDIO SIGNAL ROUTE (TV)
- V1 ➡ : AUDIO SIGNAL ROUTE (VCR1)
- V2 ➡ : AUDIO SIGNAL ROUTE (VCR2)
- MR ➡ : AUDIO SIGNAL ROUTE (MR)

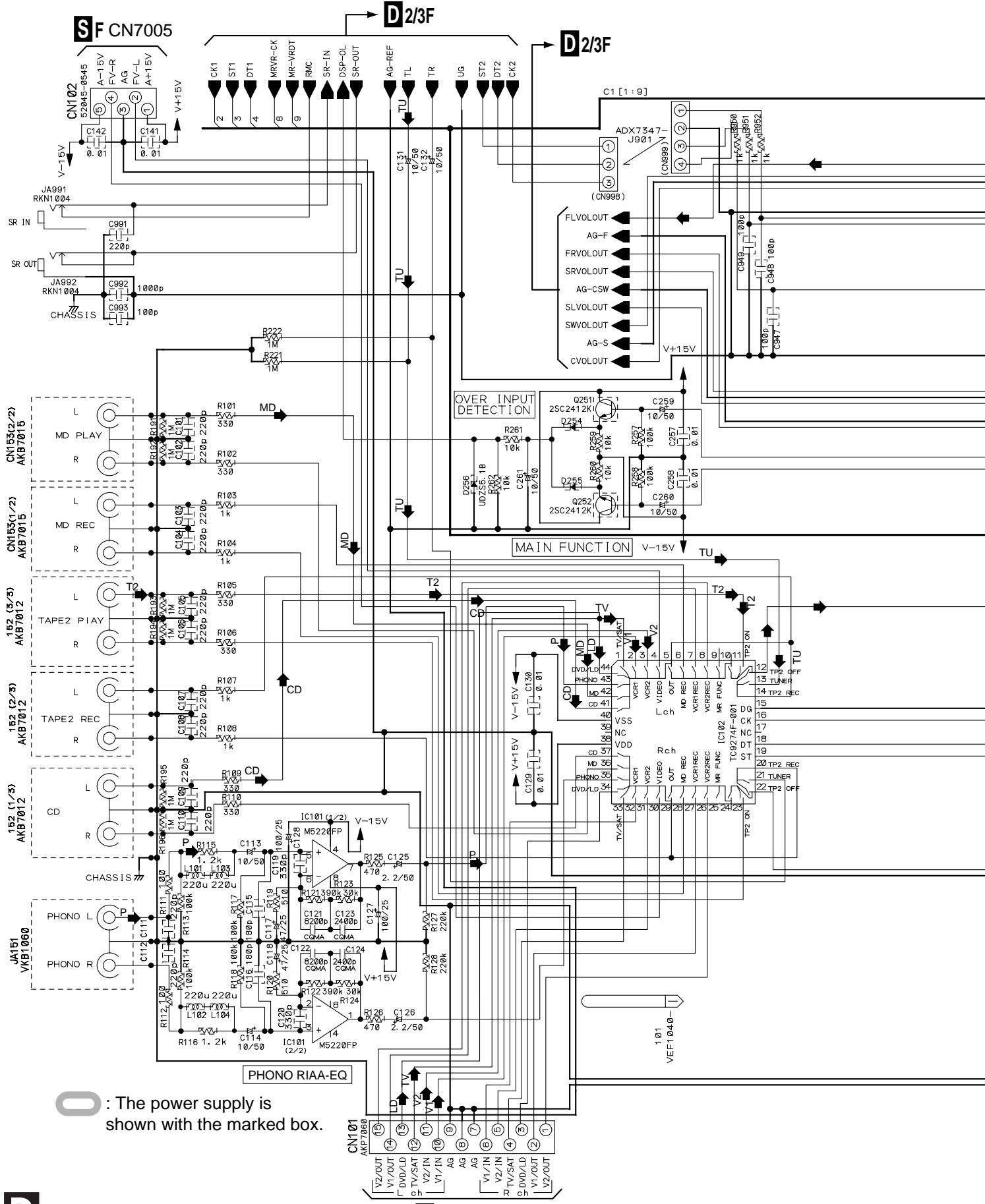
3.3 MAIN CONTROL ASSY (1/3)

A

B

C

D



: The power supply is shown with the marked box.

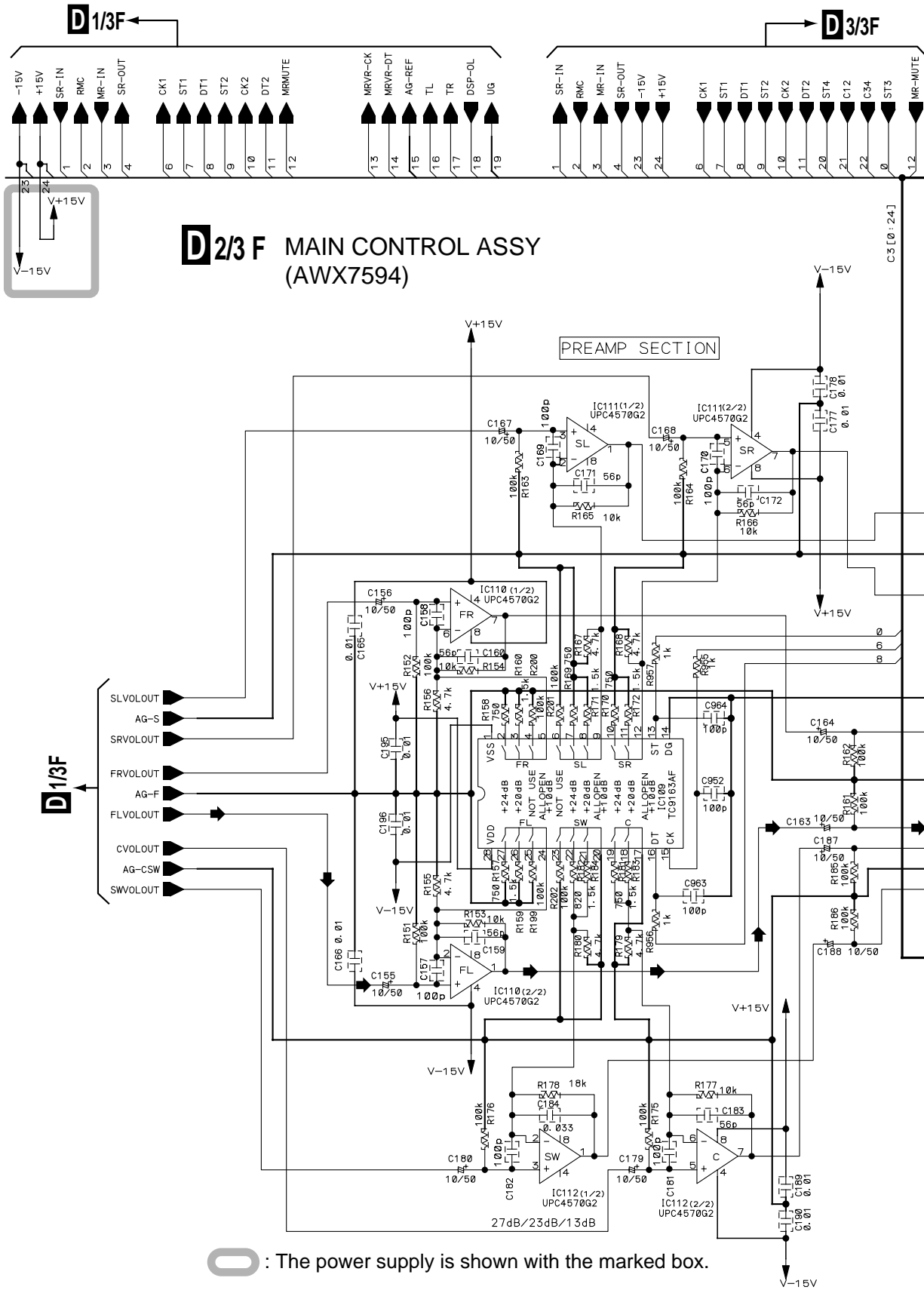
3.4 MAIN CONTROL ASSY (2/3)

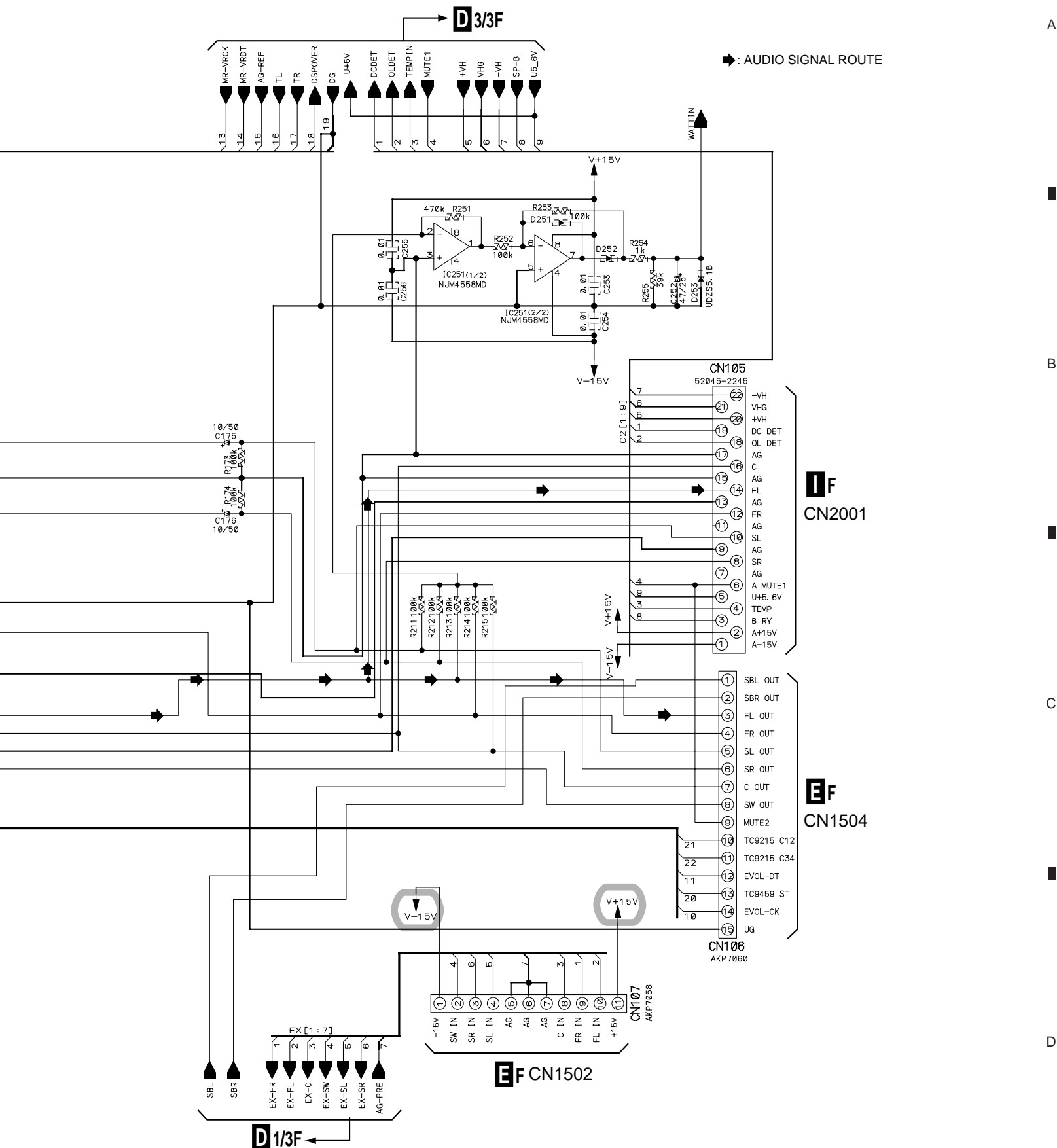
A

B

C

D





3.5 MAIN CONTROL ASSY (3/3)

SF CN7001

A

B

C

D

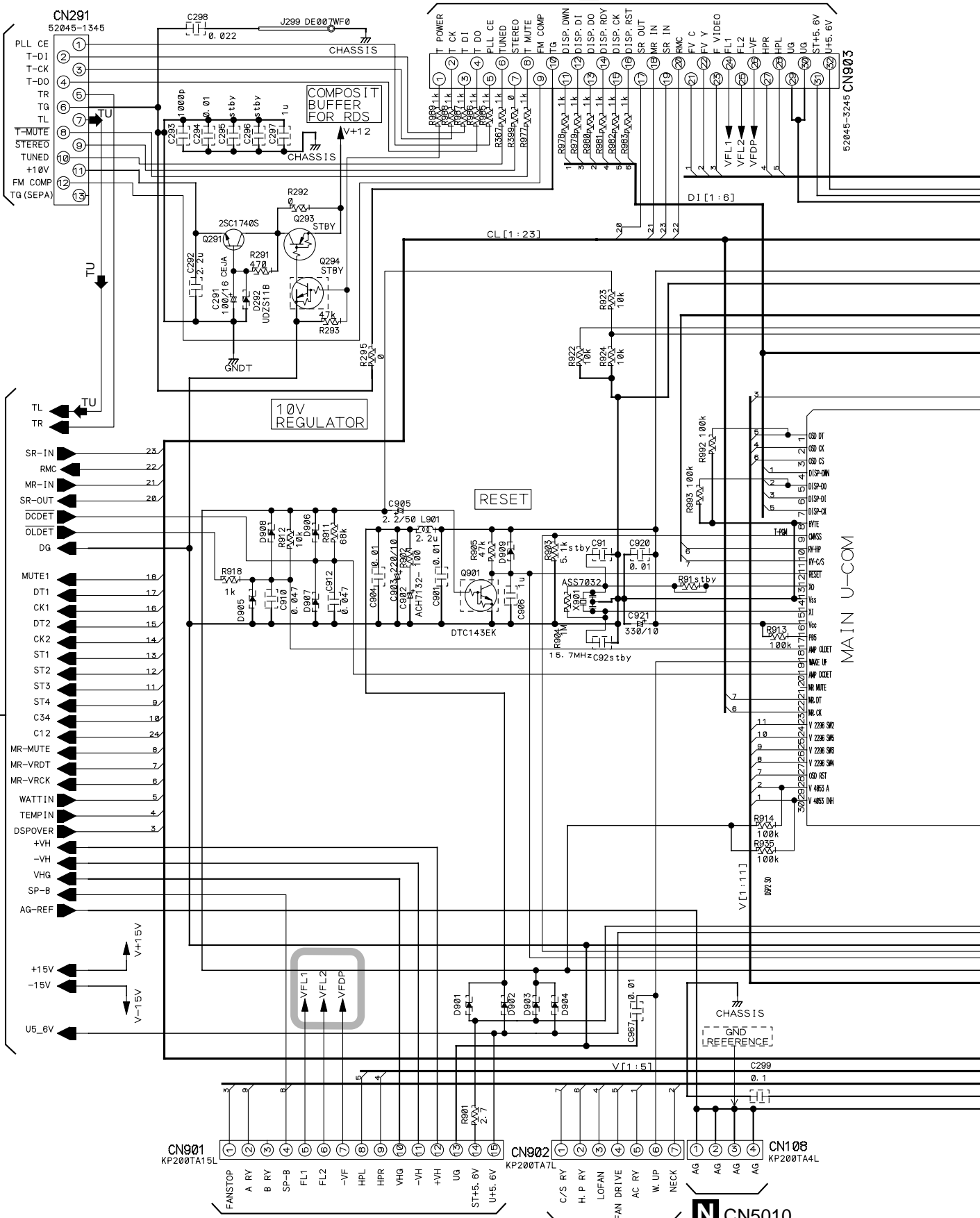
AF CN201

D23F

N CN5005

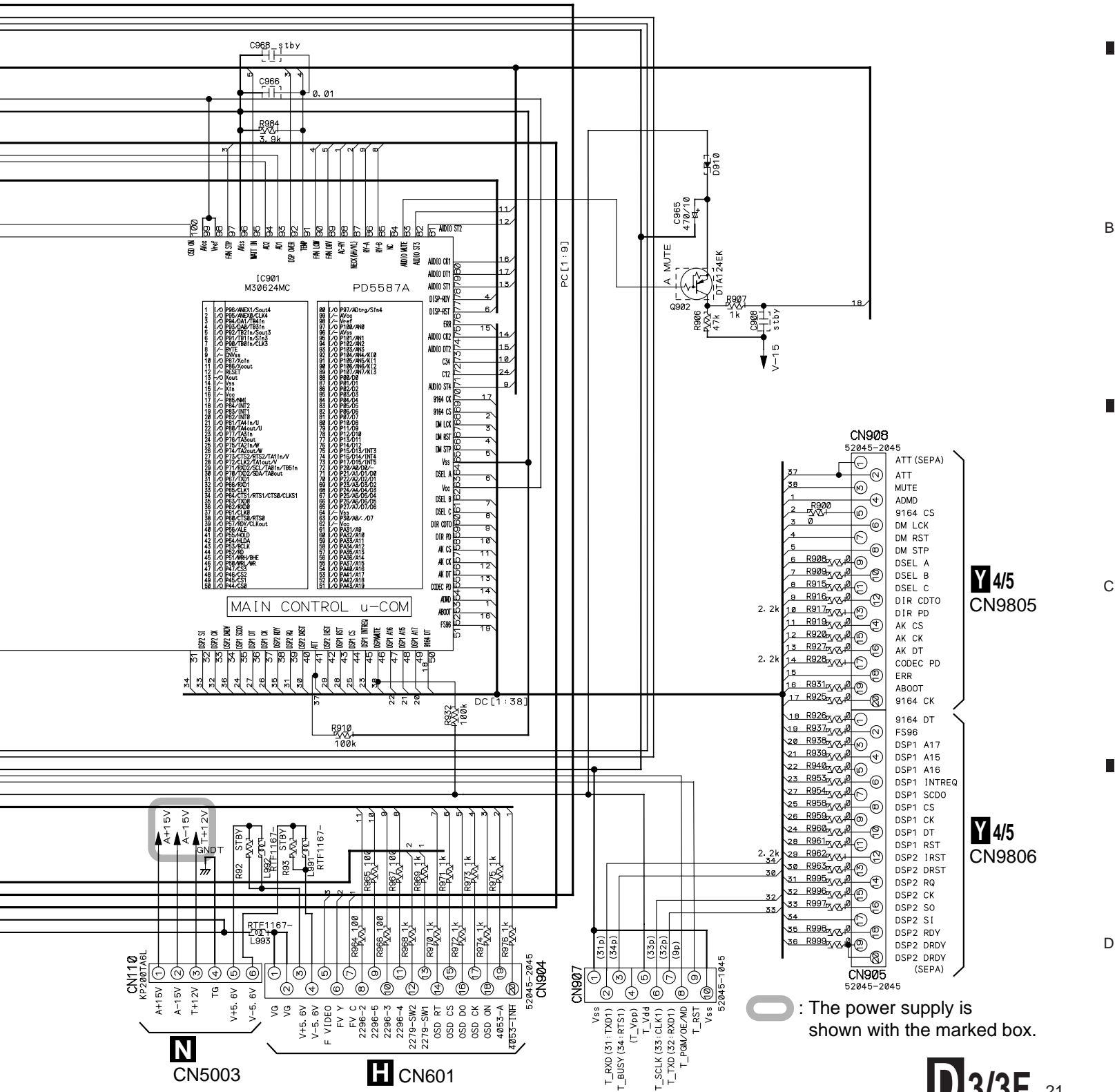
N CN5008

N CN5010



D3/3 F MAIN CONTROL ASSY (AWX7594)

TU : AUDIO SIGNAL ROUTE (TUNER)



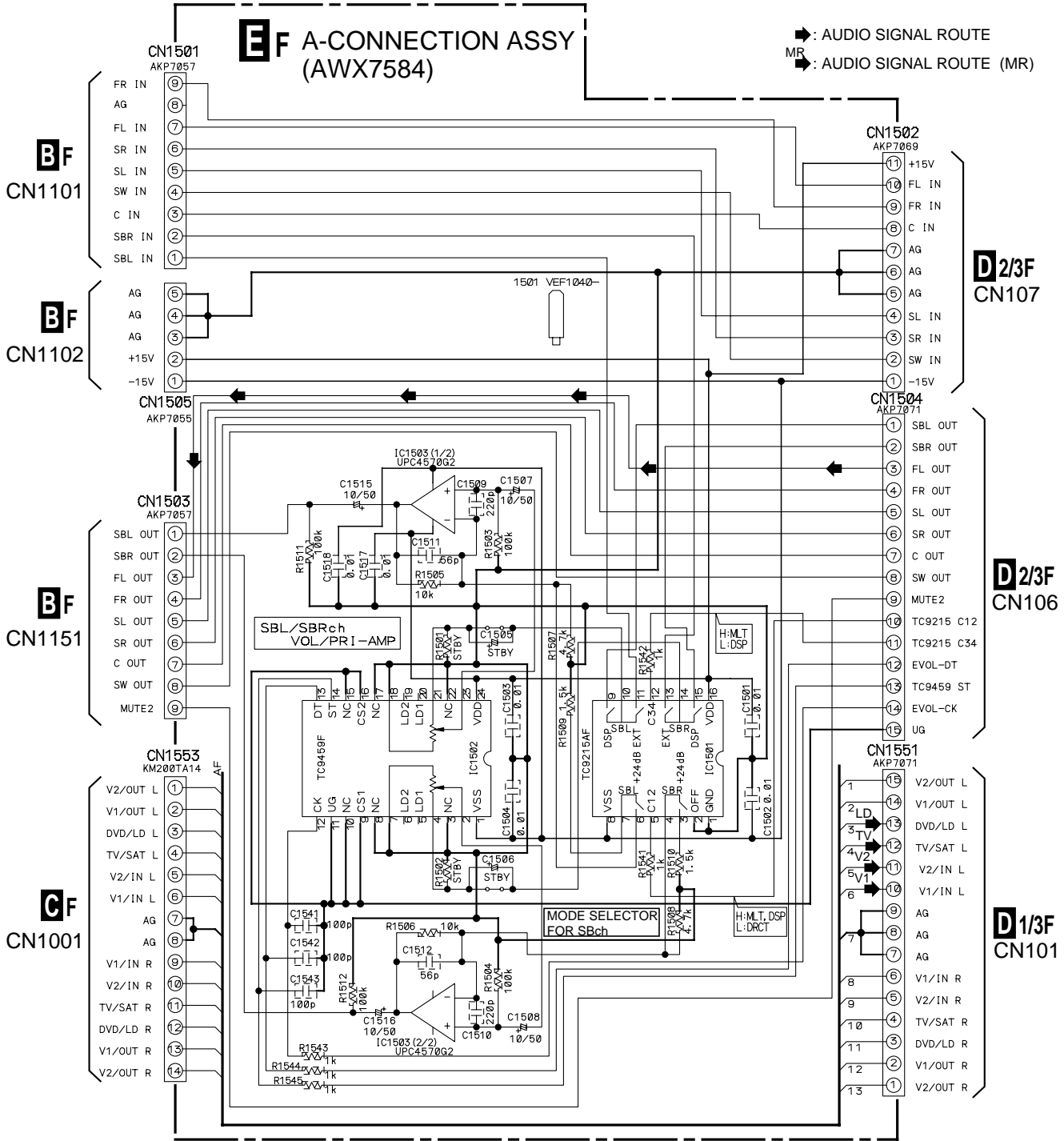
Y 4/5 CN9805

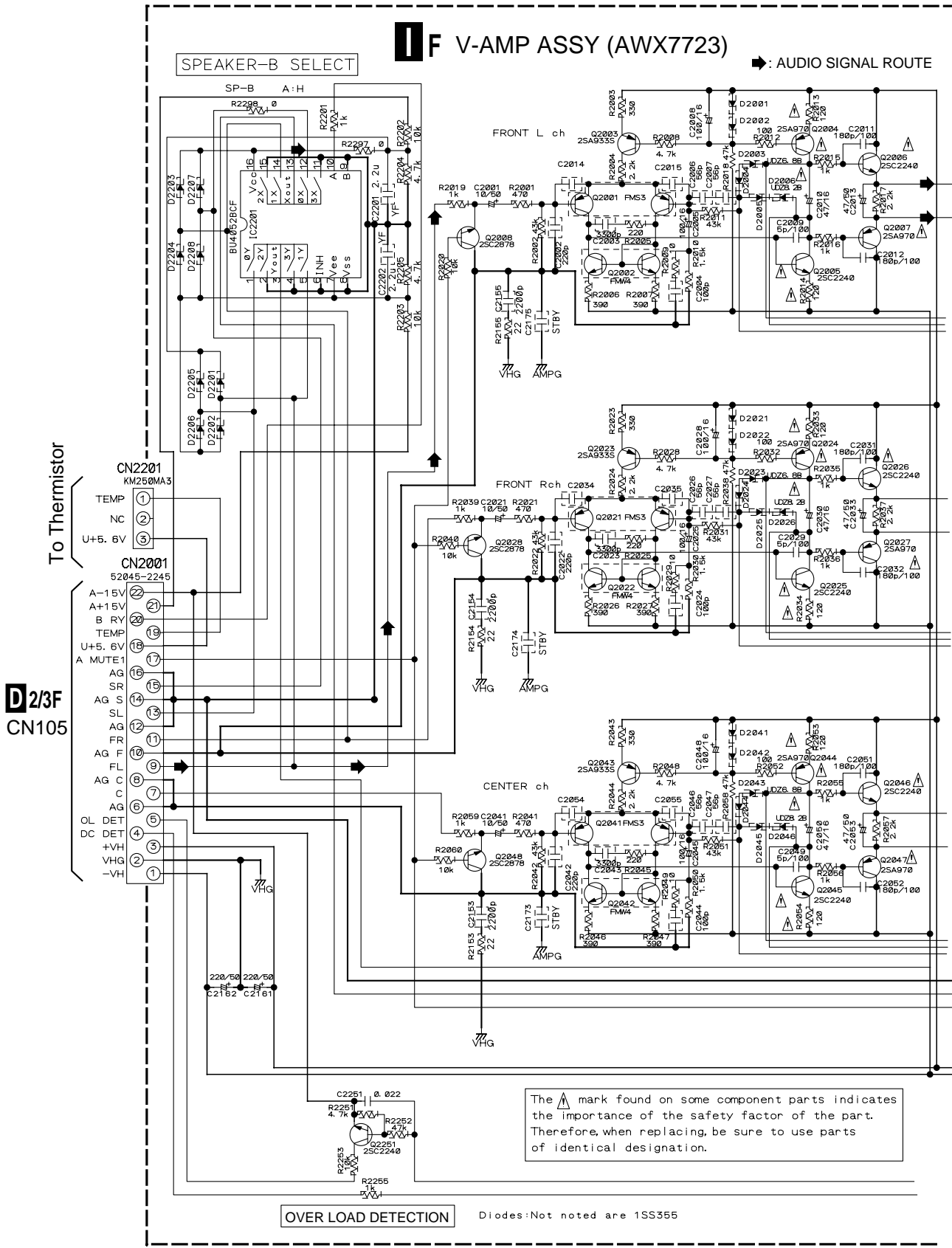
Y 4/5 CN9806

The power supply is shown with the marked box.

3.6 A-CONNECTION and V-AMP ASSYS

➔ : AUDIO SIGNAL ROUTE
 MR ➔ : AUDIO SIGNAL ROUTE (MR)





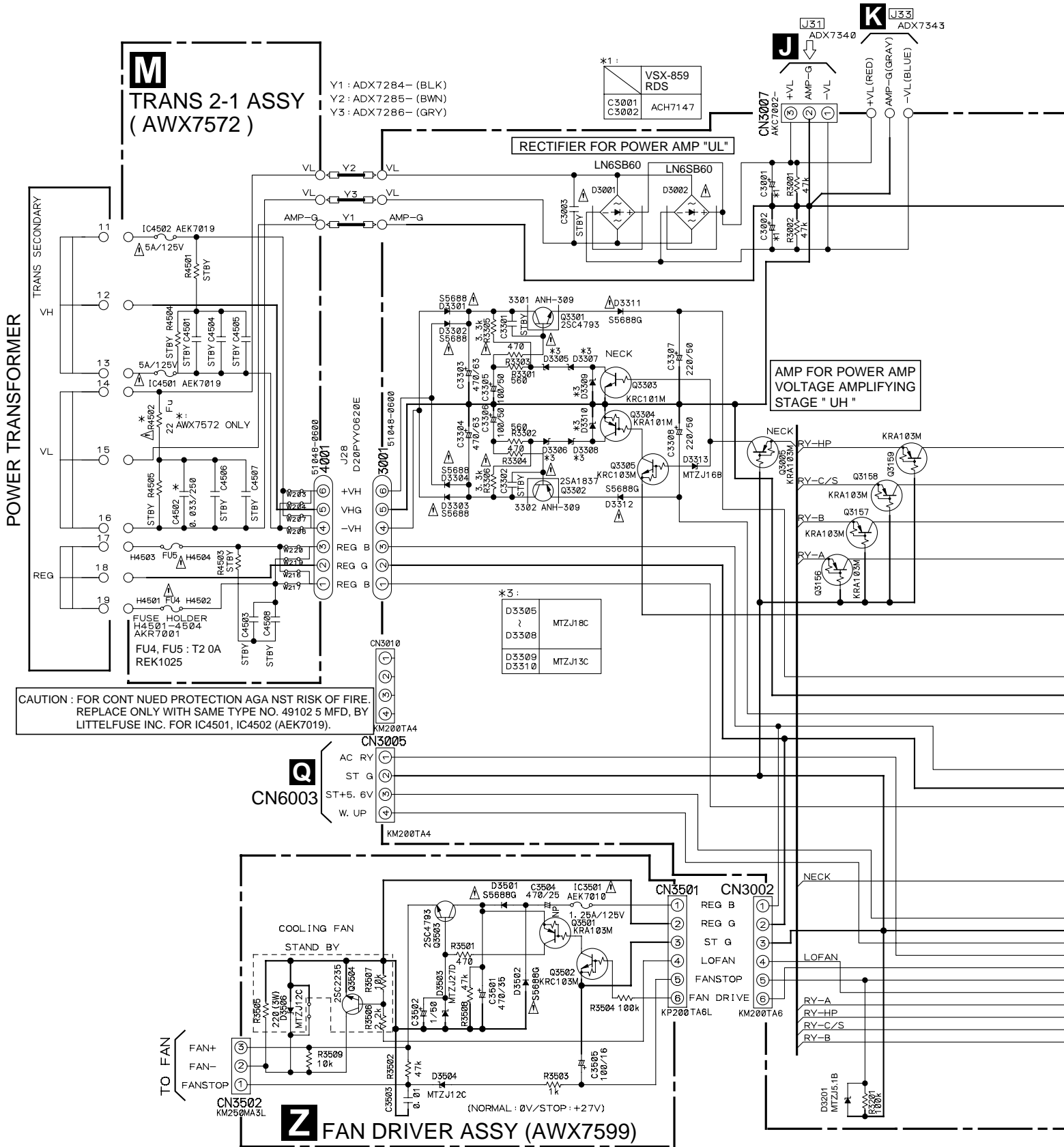
3.7 TRANS 2-1, FAN DRIVER and SP/PS ASSYS

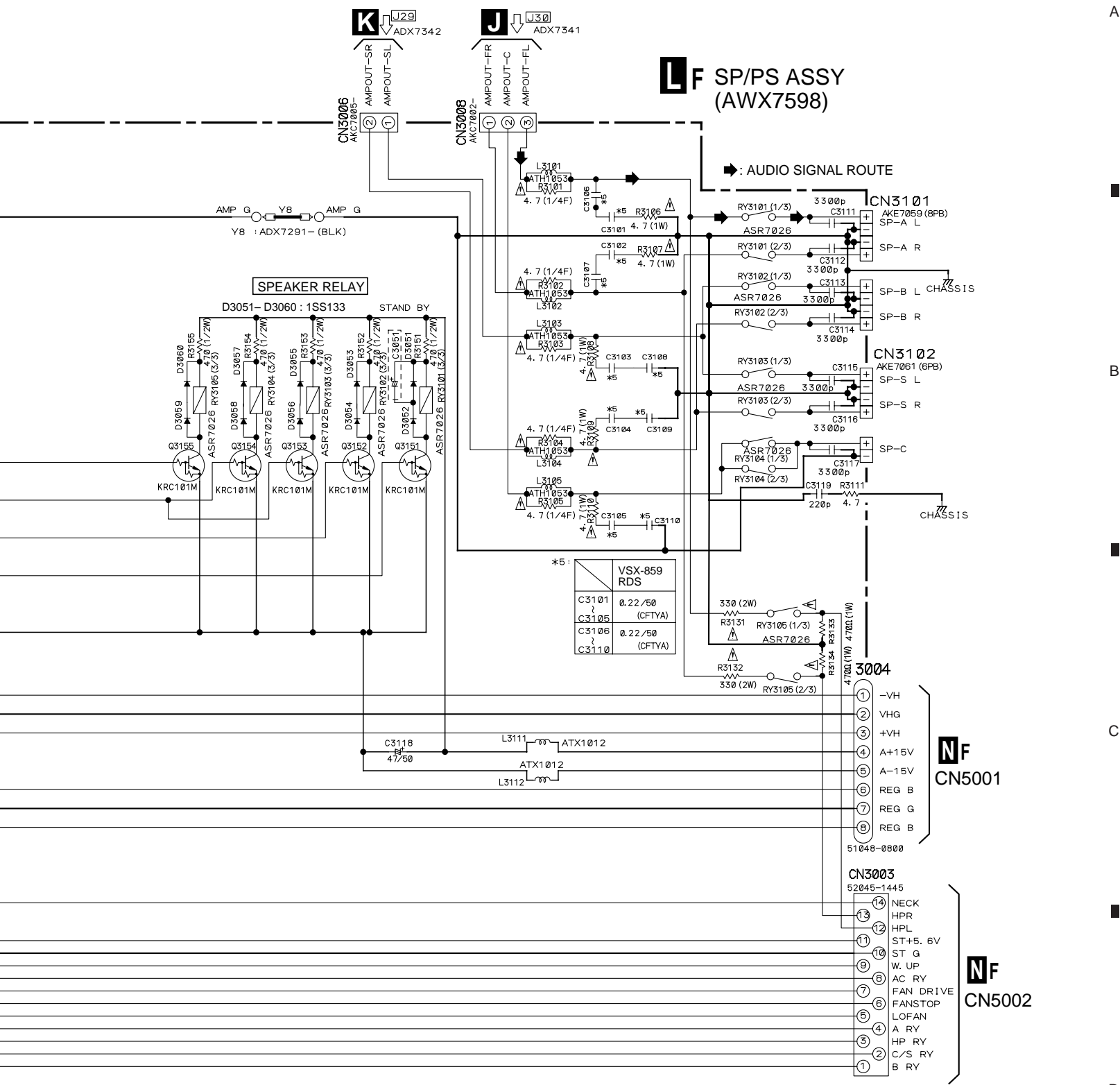
A

B

C

D





• NOTE FOR FUSE REPLACEMENT
CAUTION -FOR CONTINUED PROTECTION AGAINST RISK OF FIRE.
 REPLACE WITH SAME TYPE AND RATINGS ONLY.



3.7 REGULATOR, TRANS 1 and TRANS 2-2 ASSYS

CAUTION : FOR CONTINUED PROTECTION AGAINST RISK OF FIRE. REPLACE ONLY WITH SAME TYPE NO. 491.200 MFD, BY LITTELFUSE NC. FOR IC5009, IC5010 (AEK7023).

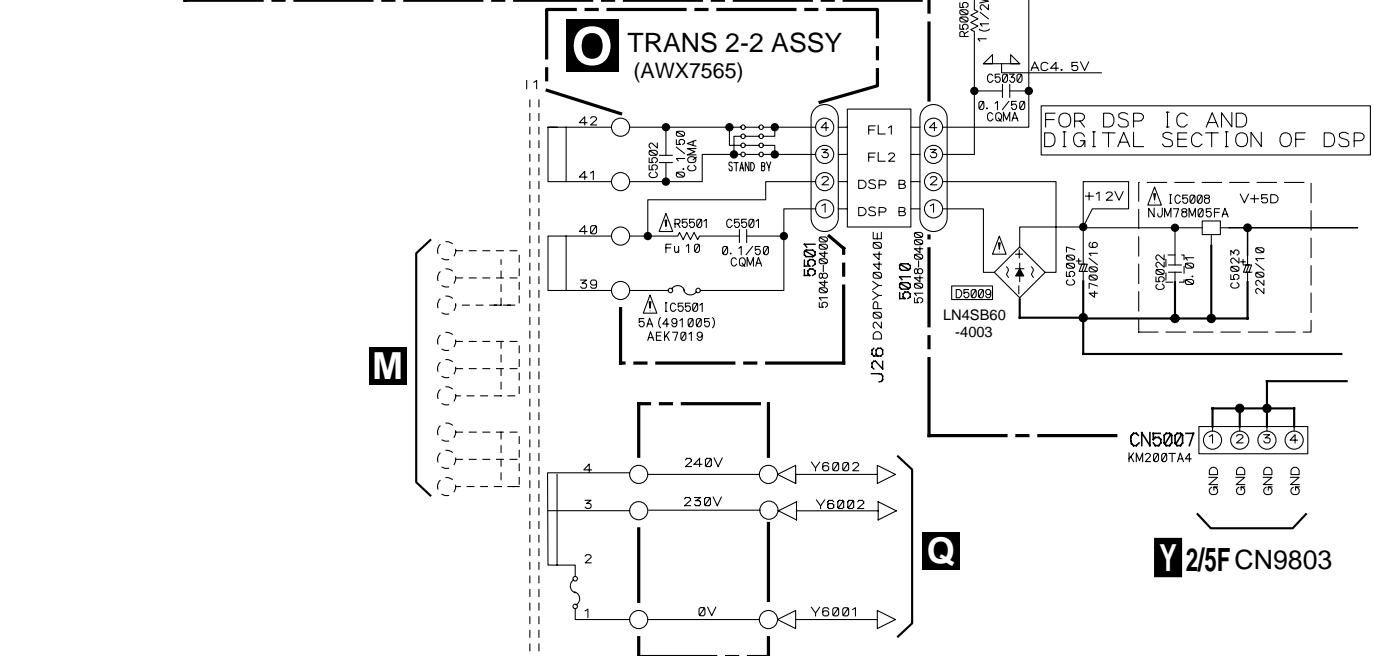
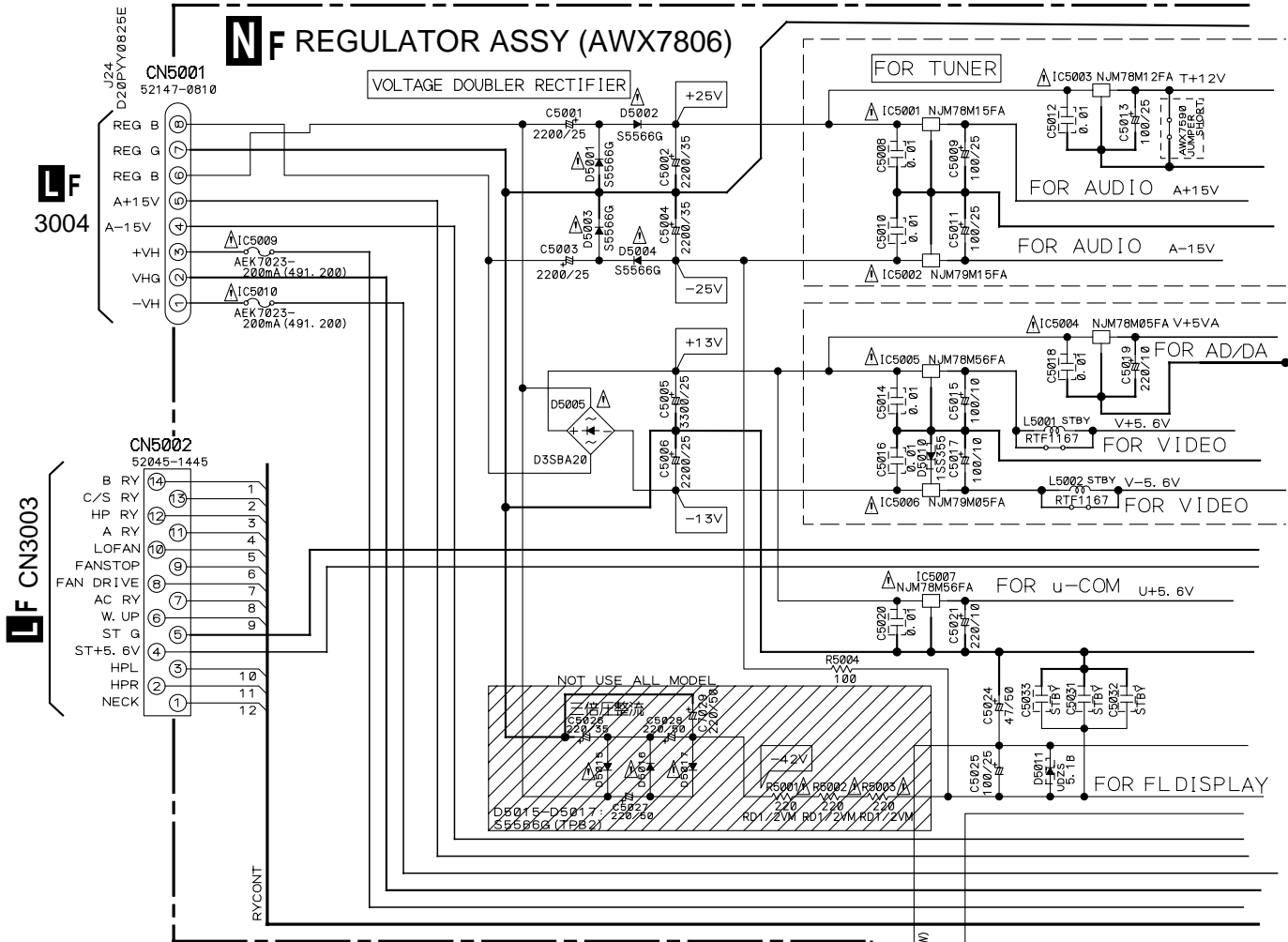
CAUTION : FOR CONTINUED PROTECTION AGAINST RISK OF FIRE. REPLACE ONLY WITH SAME TYPE NO. 491005 MFD, BY LITTELFUSE INC. FOR IC5501 (AEK7019).

A

B

C

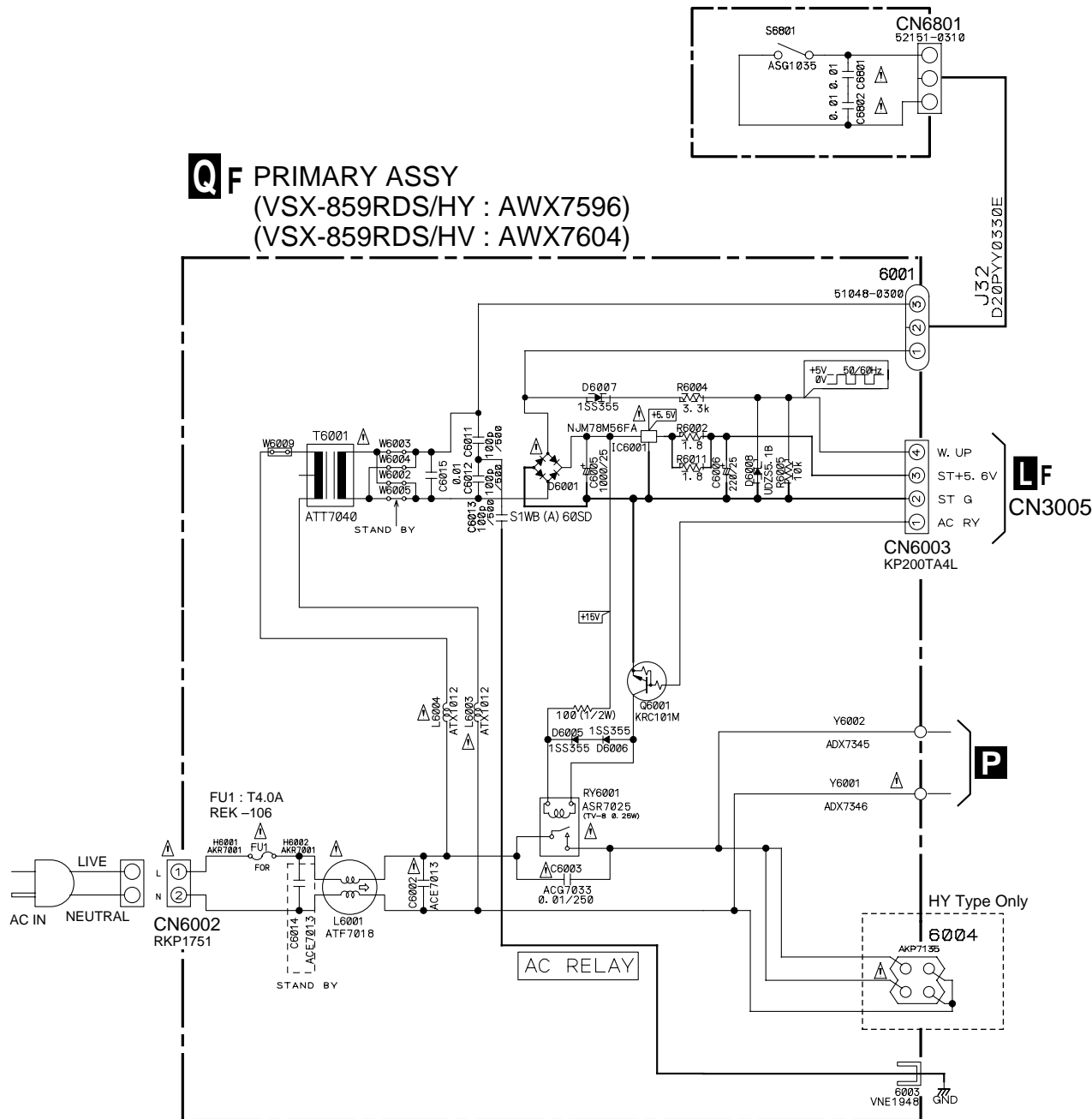
D



3.9 PRIMARY and P-SW ASSYS

QA P-SW ASSY (AWX7593)

QF PRIMARY ASSY
(VSX-859RDS/HY : AWX7596)
(VSX-859RDS/HV : AWX7604)



The Δ mark found on some component parts indicates the importance of the safety factor of the part. Therefore, when replacing, be sure to use parts of identical designation.

• NOTE FOR FUSE REPLACEMENT
CAUTION -FOR CONTINUED PROTECTION AGAINST RISK OF FIRE. REPLACE WITH SAME TYPE AND RATINGS ONLY.

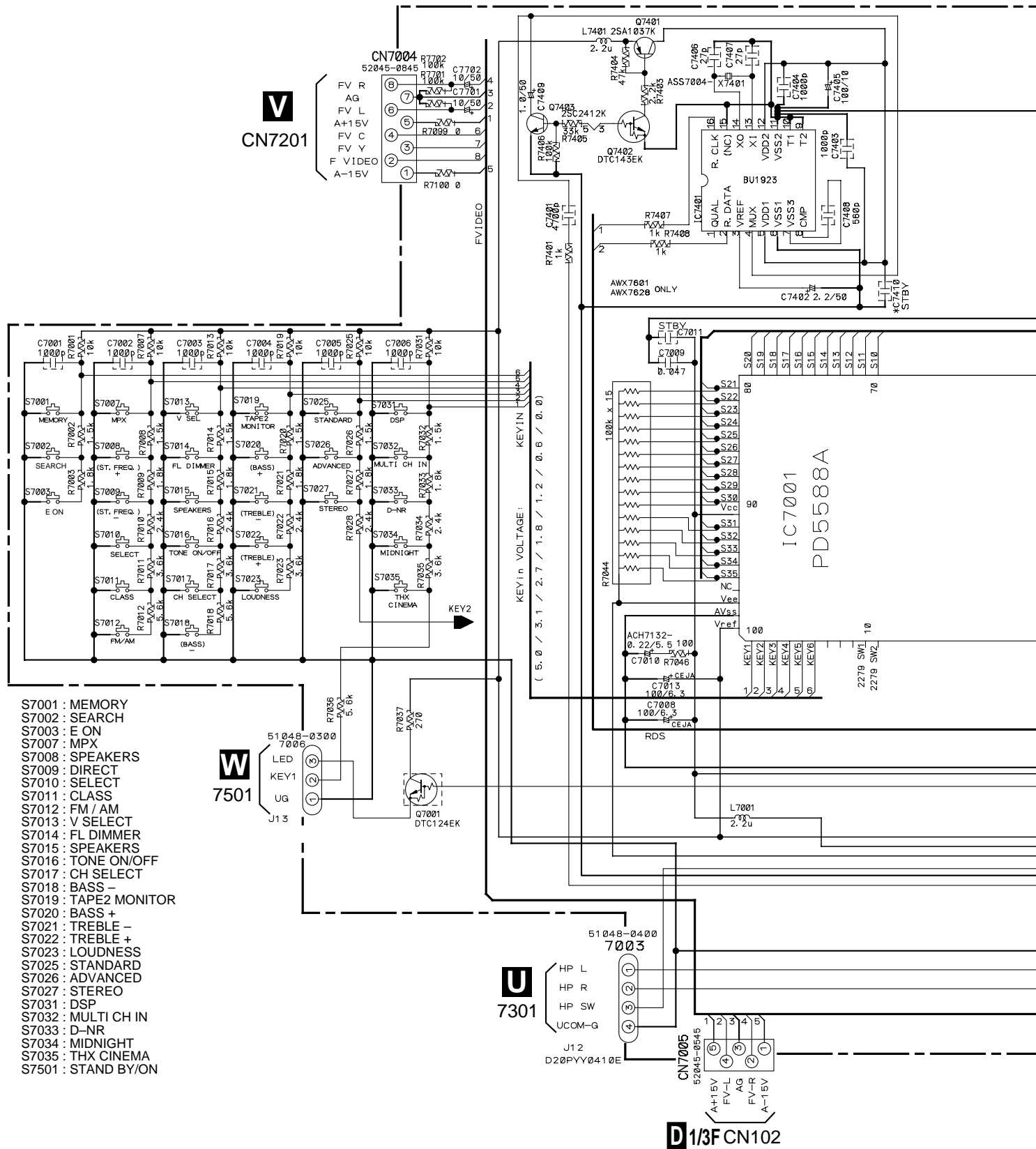
3.10 DISPLAY ASSY

A

B

C

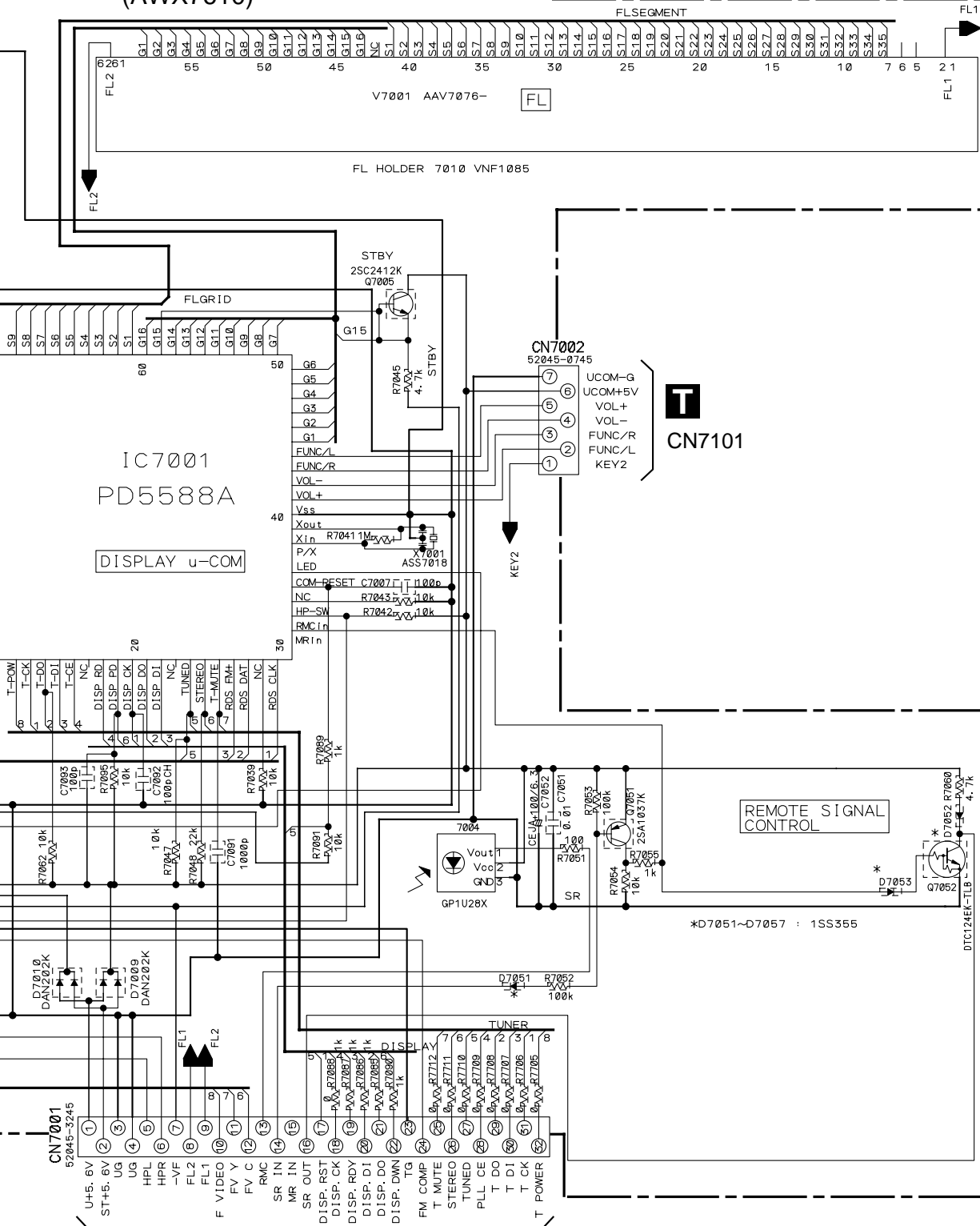
D



- S7001 : MEMORY
- S7002 : SEARCH
- S7003 : E ON
- S7007 : MPX
- S7008 : SPEAKERS
- S7009 : DIRECT
- S7010 : SELECT
- S7011 : CLASS
- S7012 : FM / AM
- S7013 : V SELECT
- S7014 : FL DIMMER
- S7015 : SPEAKERS
- S7016 : TONE ON/OFF
- S7017 : CH SELECT
- S7018 : BASS -
- S7019 : TAPE2 MONITOR
- S7020 : BASS +
- S7021 : TREBLE -
- S7022 : TREBLE +
- S7023 : LOUDNESS
- S7025 : STANDARD
- S7026 : ADVANCED
- S7027 : STEREO
- S7031 : DSP
- S7032 : MULTI CH IN
- S7033 : D-NR
- S7034 : MIDNIGHT
- S7035 : THX CINEMA
- S7501 : STAND BY/ON



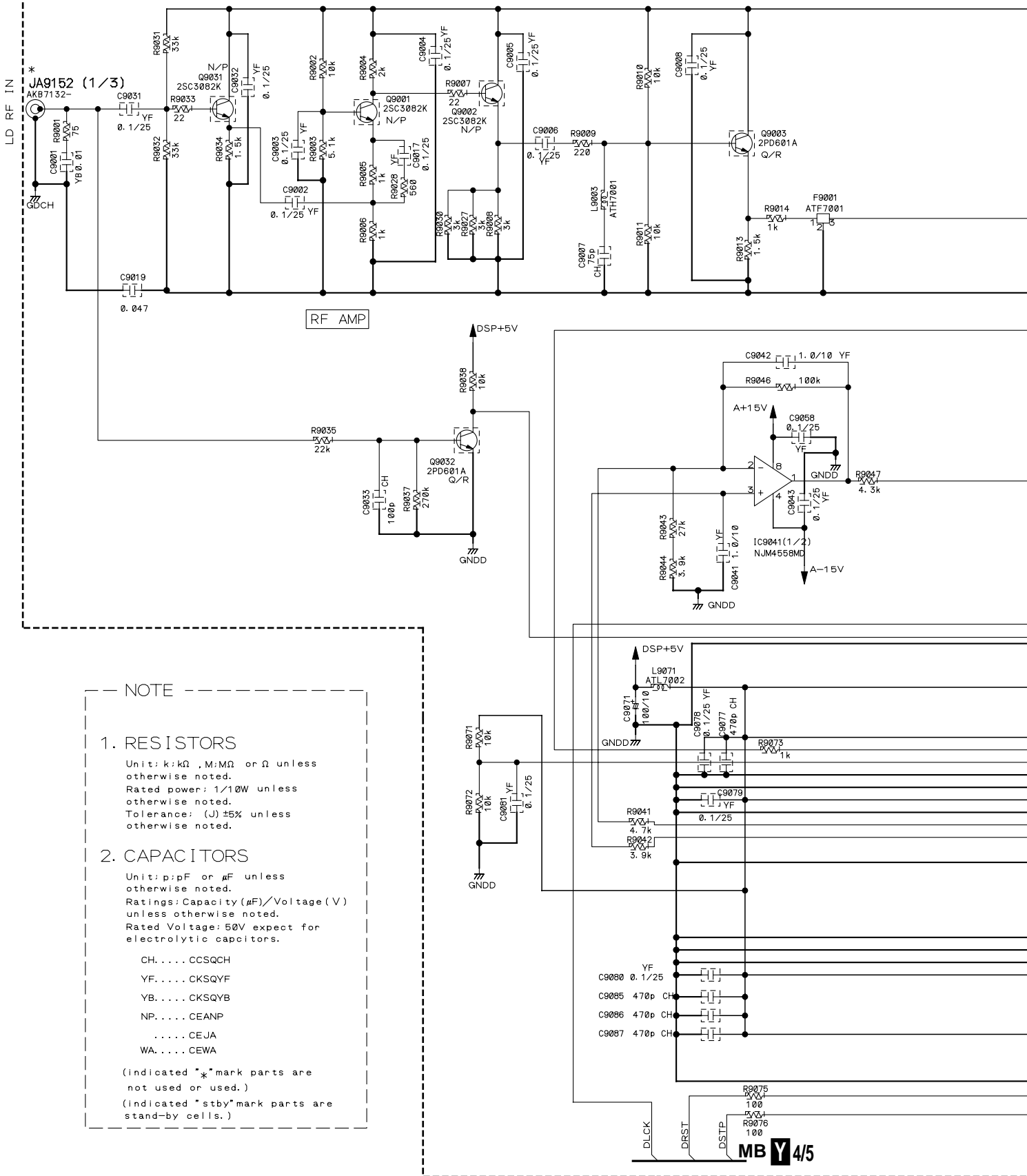
SF DISPLAY ASSY (AWX7610)



D3/3FCN903

3.11 DSP ASSY (1/5)

Y 1/5 F DSP ASSY (AWX7595)

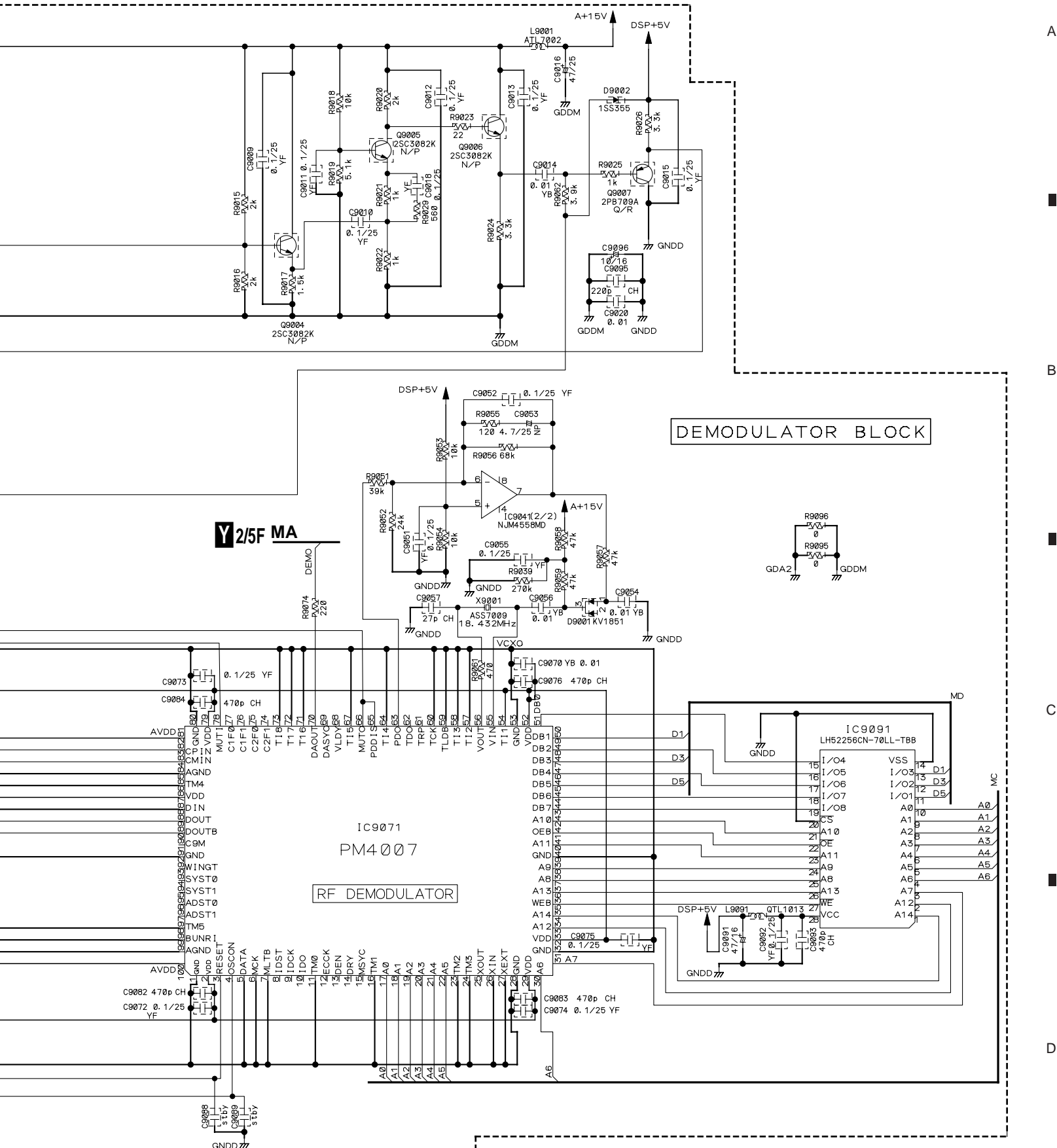


NOTE

- RESISTORS**
Unit: k:KΩ, M:MΩ or Ω unless otherwise noted.
Rated power: 1/10W unless otherwise noted.
Tolerance: (J) ±5% unless otherwise noted.
- CAPACITORS**
Unit: p:pF or μF unless otherwise noted.
Ratings: Capacity (μF)/Voltage (V) unless otherwise noted.
Rated Voltage: 50V expect for electrolytic capacitors.

CH.....CCSQCH
YF.....CKSQYF
YB.....CKSQYB
NP.....CEANP
.....CEJA
WA.....CEWA

(indicated "*" mark parts are not used or used.)
(indicated "stby" mark parts are stand-by cells.)



DEMODULATOR BLOCK

RF DEMODULATOR

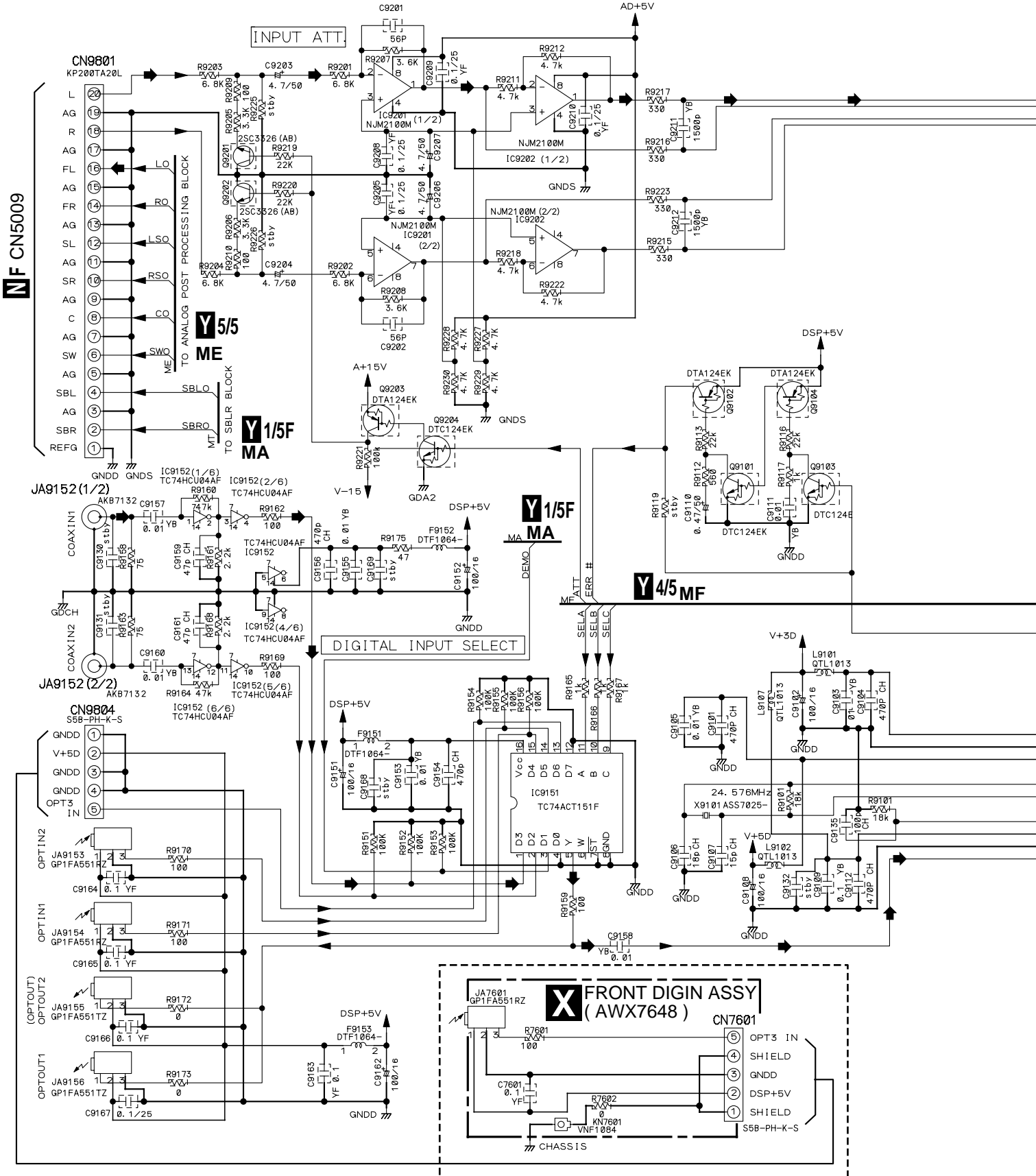
3.12 DSP ASSY (2/5)

A

B

C

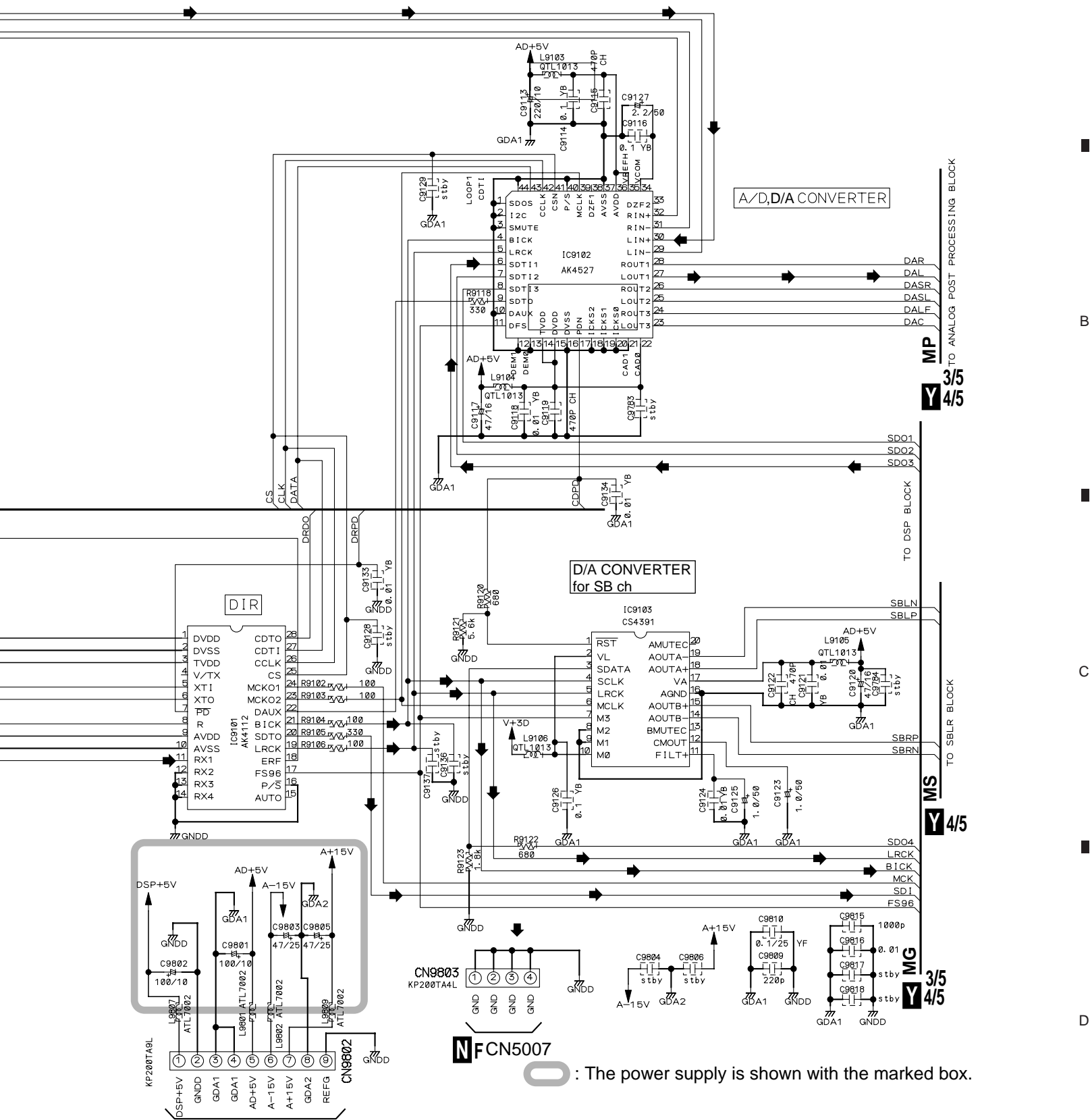
D



Y2/5 F DSP ASSY (AWX7595)

➔ : AUDIO SIGNAL ROUTE

A



B

C

D

Y2/5 F

Y2/5 F

4. REMOTE CONTROL UNIT [AXD7273]

4.1 CONTRAST OF MISCELLANEOUS PARTS

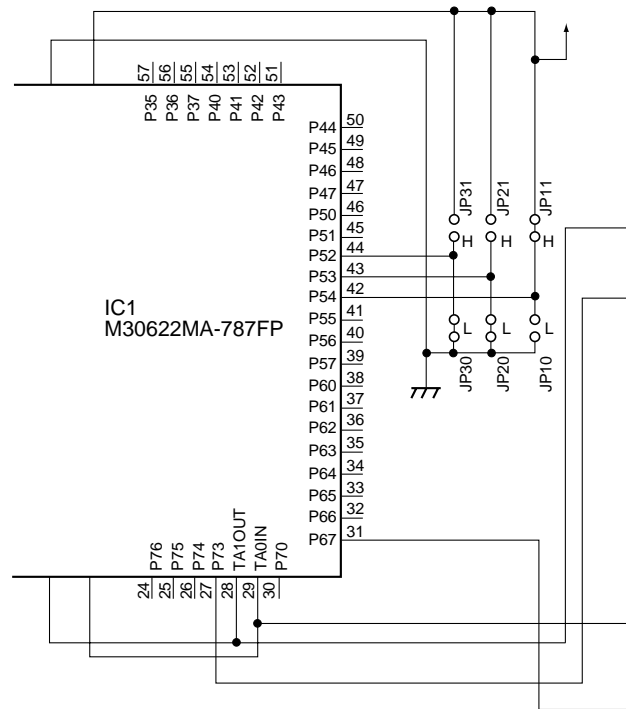
- NOTES :
- Parts marked by “NSP” are generally unavailable because they are not in our Master Spare Parts List.
 - The \triangle mark found on some component parts indicates the importance of the safety factor of the part. Therefore, when replacing, be sure to use parts of identical designation.
 - Screw adjacent to ∇ mark on the product are used for disassembly.
 - Reference Nos. indicate the pages and Nos. in the service manual for the base model.

■ CONTRAST TABLE

AXD7273 and AXD7266 are constructed the same except for the following:

Ref. No.	Mark	Symbol and Description	Part No.		Remarks
			AXD7266	AXD7273	
P100-3		Rubber Sheet	AZA7397	AZA7402	
P100-15		Case A Assy	AZA7864	AZA7863	

■ REMOTE PCB MODEL SWITCH



MODEL SWITCH

Model	JP10	JP11	JP20	JP21	JP30	JP31
AXD7257, AXD7278	-	○	-	○	-	○
AXD7258, AXD7279	-	○	-	○	○	-
AXD7259	-	○	○	-	-	○
AXD7266	-	○	○	-	○	-
AXD7273	○	-	-	○	-	○
AXD7275	○	-	-	○	○	-